



LEDVANCE USER MANUAL

HYBRID INVERTER

LHT-HV-30K F1

LHT-HV-40K F1

LHT-HV-35K F1

LHT-HV-50K F1



CONTENTS

SAFETY INTRODUCTIONS	3
PRODUCT INSTRUCTIONS	4
Product Overview	4
Product Size	5
Product Features	6
Basic System Architecture	6
Product handling requirements	7
Parts list	7
INSTALLATION	8
Mounting instructions	8
Battery connection	10
Grid connection and backup load connection	13
PV Connection	14
CT Connection	19
Meter Connection	20
Earth Connection(mandatory)	23
WIFI Connection	23
Wiring System for Inverter	24
Wiring Diagram	26
Typical Application Diagram of Diesel Generator	27
Three Phase Parallel Connection Diagram	28
OPERATION	29
Power ON/OFF	29
Operation and Display Panel	29
LCD DISPLAY ICONS	30
Main Screen	30
Solar Power Curve	32
Curve Page-Solar & Load & Grid	33
System Setup Menu	34
Basic Setup Menu	34
Battery Setup Menu	35
System Work Mode Setup Menu	36
Grid Setup Menu	37
Generator Port Use Setup Menu	40
Advanced Function Setup Menu	41
Device Info Setup Menu	42
MODE	43
LIMITATION OF LIABILITY	45
DATASHEET	49
APPENDIX I	51
APPENDIX II	52

SAFETY INTRODUCTIONS

ABOUT THIS MANUAL

The manual mainly describes the product information, guidelines for installation, operation and maintenance. The manual cannot include complete information about the photovoltaic (PV) system.

HOW TO USE THIS MANUAL

Read the manual and other related documents before performing any operation on the inverter. Documents must be stored carefully and be available at all times.

Contents may be periodically updated or revised due to product development. The information in this manual is subject to change without notice.

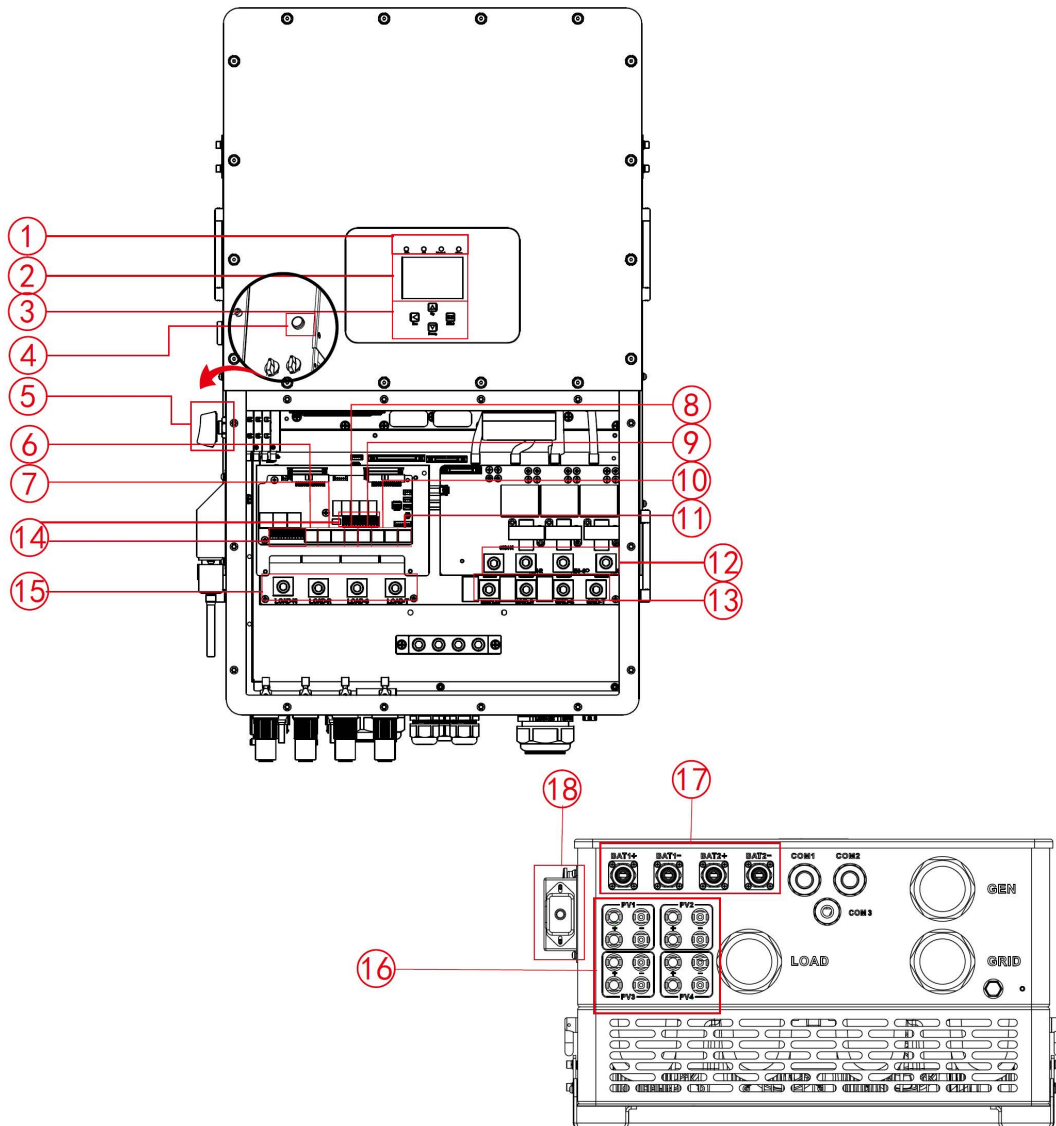
SAFETY INTRODUCTIONS

- This chapter contains important safety and operating instructions. Read and keep this manual for future reference.
- Before using the inverter, please read the instructions and warning signs of the battery and corresponding sections in the instruction manual.
- Do not disassemble the inverter. If you need maintenance or repair, take it to a professional service center.
- Improper reassembly may result in electric shock or fire.
- To reduce risk of electric shock, disconnect all wires before attempting any maintenance or cleaning. Turning off the unit will not reduce this risk.
- Caution: Only qualified personnel can install this device with battery.
- Never charge a frozen battery.
- For optimum operation of this inverter, please follow required specification to select appropriate cable size. It is very important to correctly operate this inverter.
- Be very cautious when working with metal tools on or around batteries. Dropping a tool may cause a spark or short circuit in batteries or other electrical parts, even cause an explosion.
- Please strictly follow installation procedure when you want to disconnect AC or DC terminals. Please refer to "Installation" section of this manual for the details.
- Grounding instructions - this inverter should be connected to a permanent grounded wiring system. Be sure to comply with local requirements and regulation to install this inverter.
- Never cause AC output and DC input short circuited. Do not connect to the mains when DC input short circuits.

PRODUCT INTRODUCTIONS

This is a multifunctional inverter, combining functions of inverter, solar charger and battery charger to offer uninterruptible power support with portable size. Its comprehensive LCD display offers user configurable and easy accessible button operation such as battery charging, AC/solar charging, and acceptable input voltage based on different applications.

PRODUCT OVERVIEW



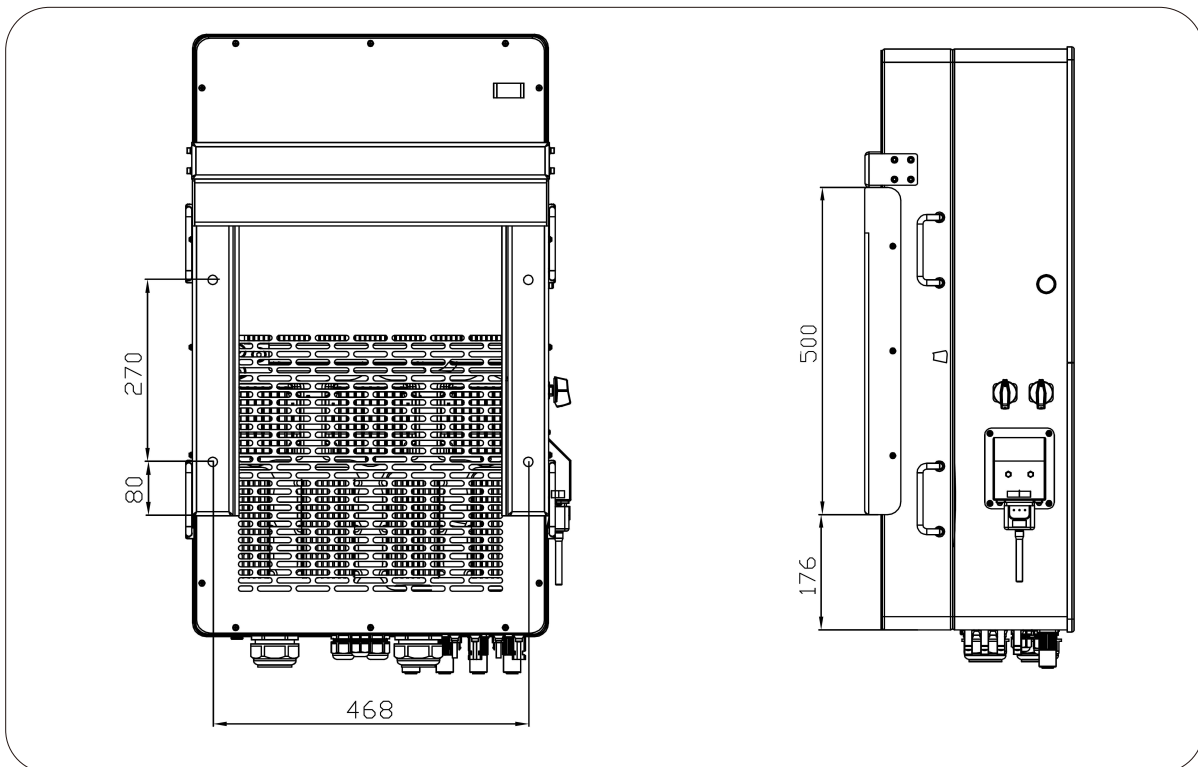
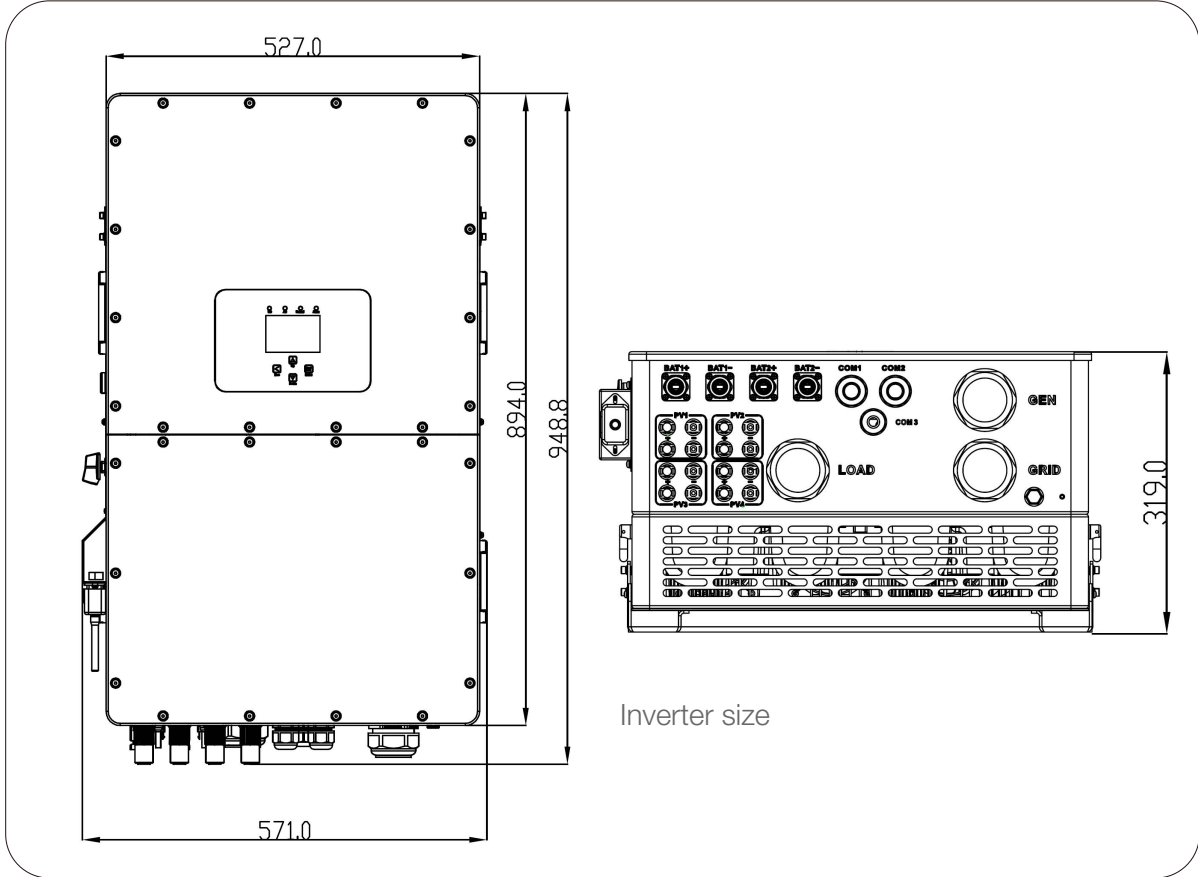
- 1: Inverter indicators
- 2: LCD display
- 3: Function buttons
- 4: Power on/off button
- 5: DC switch
- 6: Meter port

- 7: Parallel port
- 8: CAN port
- 9: DRM port
- 10: BMS port
- 11: RS485 port
- 12: Generator input

- 13: Grid
- 14: Function port
- 15: Load
- 16: PV input with two MPPT
- 17: Battery input
- 18: WiFi Interface

PRODUCT INTRODUCTIONS

PRODUCT SIZE



PRODUCT INTRODUCTIONS

PRODUCT FEATURES

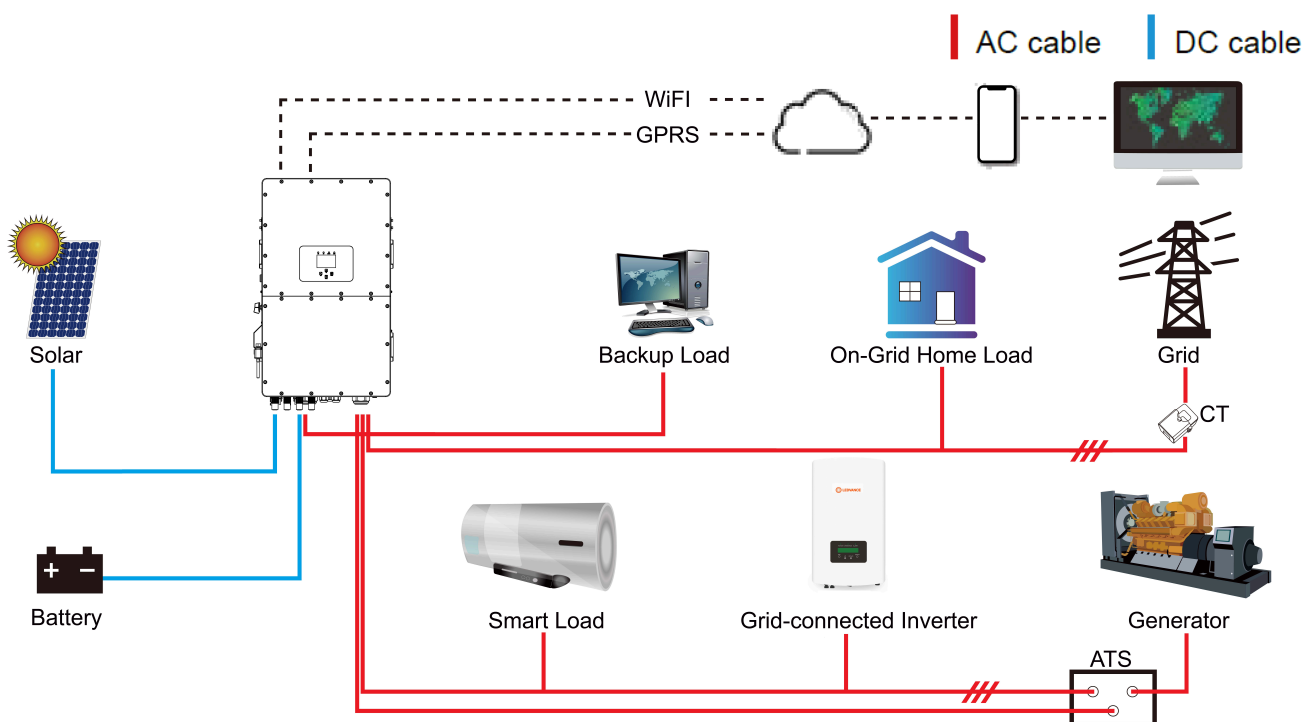
- 230V/400V Three phase pure sine wave inverter.
- Self-consumption and feed-in to the grid.
- Auto restart while AC is recovering.
- Programmable supply priority for battery or grid.
- Programmable multiple operation modes: On grid, off grid and UPS.
- Configurable battery charging current/voltage based on applications by LCD setting.
- Configurable AC/Solar/Generator Charger priority by LCD setting.
- Compatible with mains voltage or generator power.
- Overload/over temperature/short circuit protection.
- Smart battery charger design for optimized battery performance.
- With limit function, prevent excess power overflow to the grid.
- Supporting WIFI monitoring and build-in 2 strings for 1 MPP tracker, 1 string for 1 MPP tracker.
- Smart settable three stages MPPT charging for optimized battery performance.
- Time of use function.
- Smart Load Function.

BASIC SYSTEM ARCHITECTURE

The following illustration shows basic application of this inverter. It also includes following devices to have a complete running system.

- Generator or Utility.
- PV modules

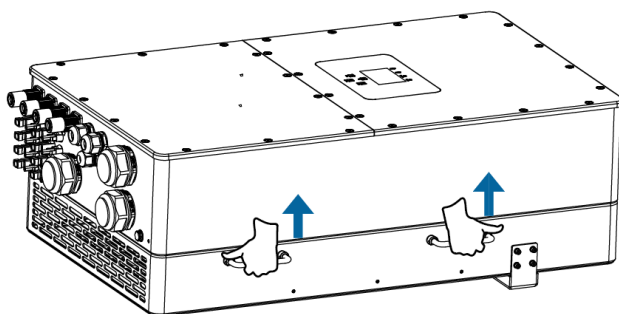
Consult with your system integrator for other possible system architectures depending on your requirements. This inverter can power all kinds of appliances in home or office environment, including motor type appliances such as refrigerator and air conditioner.



PRODUCT INTRODUCTIONS

PRODUCT HANDLING REQUIREMENTS

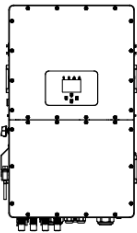
Two people stand on both sides of the machine, holding one handle to lift the machine.



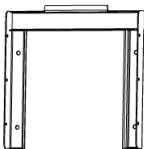
Transport

PARTS LIST

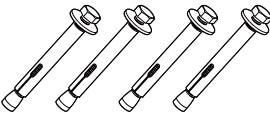
Check the equipment before installation. Please make sure nothing is damaged in the package. You should have received the items in the following package.



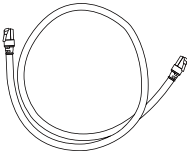
Hybrid inverter
x1




Wall mounting bracket x1



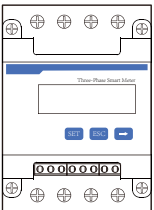
Stainless steel anti-collision bolt M6×60
x4



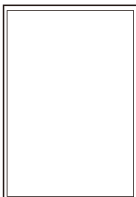
Parallel communication cable x1



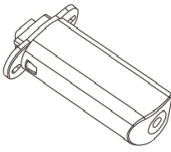
L-type Hexagon wrench
x1



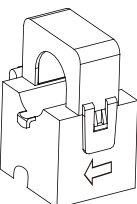
Meter(optional)
x 1



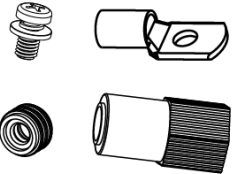
User manual x1



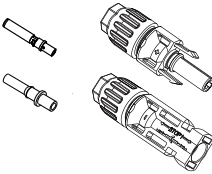
Datalogger (optional) x1




Sensor Clamp
x 3



Battery Plug connectors accessories x4



DC+/DC- Plug connectors including metal terminal
xN(black)



T-type wrench
x1

INSTALLATION

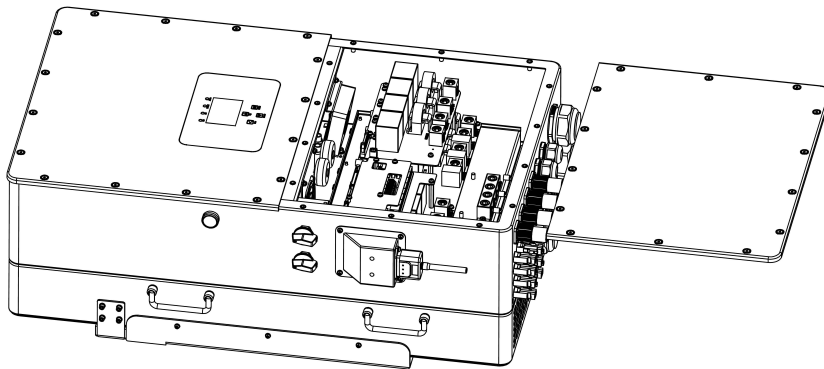
MOUNTING INSTRUCTIONS

Installation Precaution

This Hybrid inverter is designed for outdoor use (IP65), Please make sure the installation site meets below conditions.

- Not in direct sunlight.
- Not in areas where highly flammable materials are stored.
- Not in potential explosive areas.
- Not in the cool air directly.
- Not near the television antenna or antenna cable.
- Not higher than altitude of about 2000 meters above sea level.
- Not in environment of precipitation or humidity (>95%).

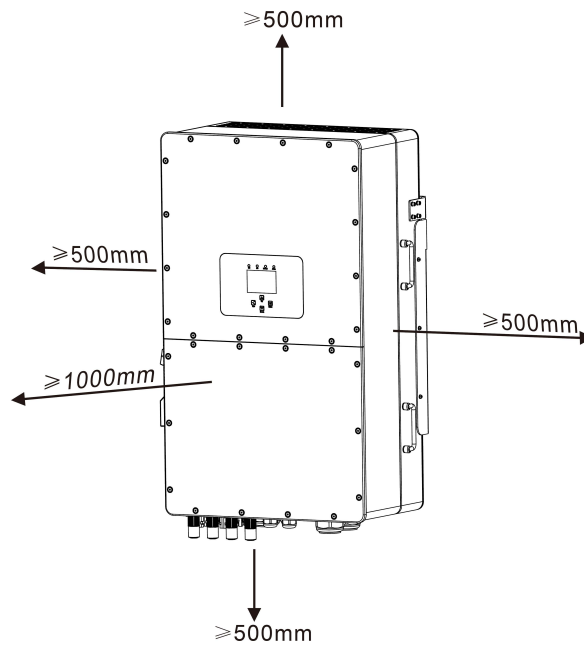
Please AVOID direct sunlight, rain exposure, snow laying up during installation and operation. Before connecting all wires, please take off the metal cover by removing screws as shown below:



CONSIDERING THE FOLLOWING POINTS BEFORE SELECTING WHERE TO INSTALL

- Please select a vertical wall with load-bearing capacity for installation, suitable for installation on concrete or other non-flammable surfaces, installation is shown below.
- Install this inverter at eye level in order to allow the LCD display to be read at all times.
- The ambient temperature is recommended to be between -40~60°C to ensure optimal operation.
- Be sure to keep other objects and surfaces as shown in the diagram to guarantee sufficient heat dissipation and have enough space for removing wires.

INSTALLATION

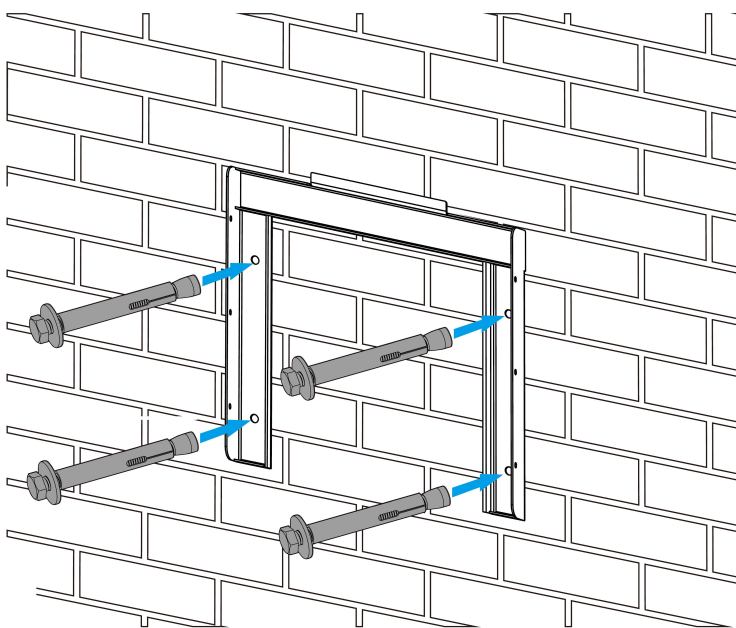


For proper air circulation to dissipate heat, allow a clearance of approx. 500mm to the side and approx. 500mm above and below the unit. And 1000mm to the front.

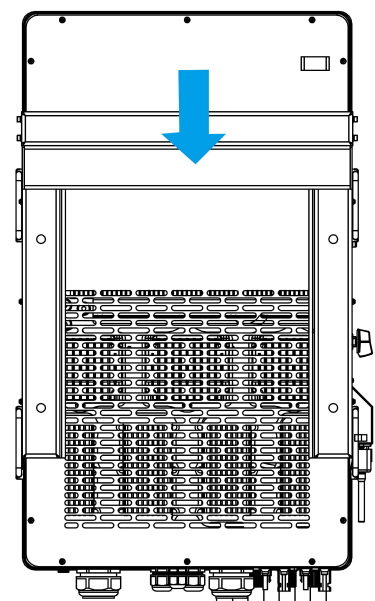
MOUNTING THE INVERTER

Remember that this inverter is heavy! Please be careful when lifting out from the package. Choose the recommend drill head (as shown in below picture) to drill 4 holes on the wall 62-70mm deep.

- Use a proper hammer to fit the expansion bolt into the holes.
- Carry the inverter and holding it, make sure the hanger aim at the expansion bolt, fix the inverter on the wall.
- Fasten the screw head of the expansion bolt to finish the mounting.



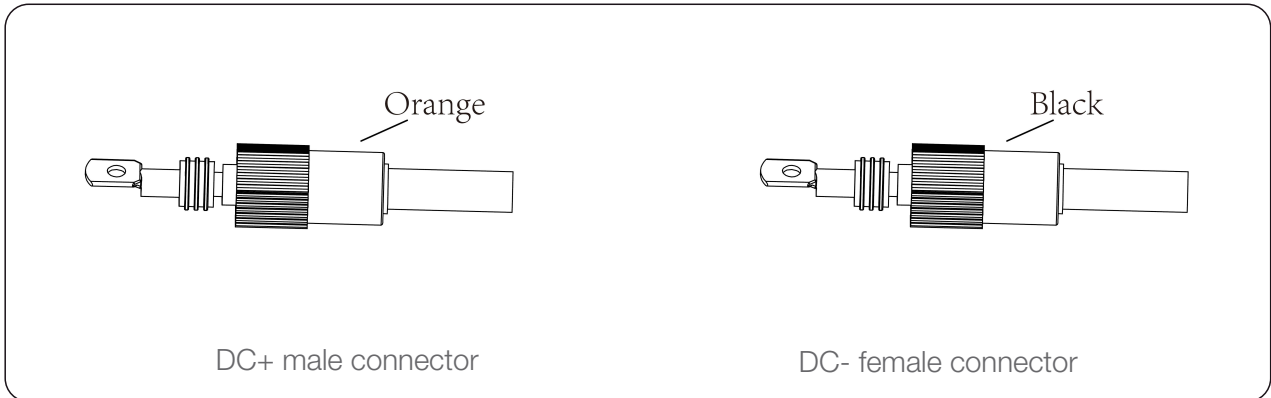
Inverter hanging plate installation



INSTALLATION

BATTERY CONNECTION

For safe operation and compliance, a separate DC over-current protector or disconnect device is required between the battery and the inverter. In some applications, switching devices may not be required but over-current protectors are still required. Refer to the typical amperage in the table below for the required fuse or circuit breaker size.



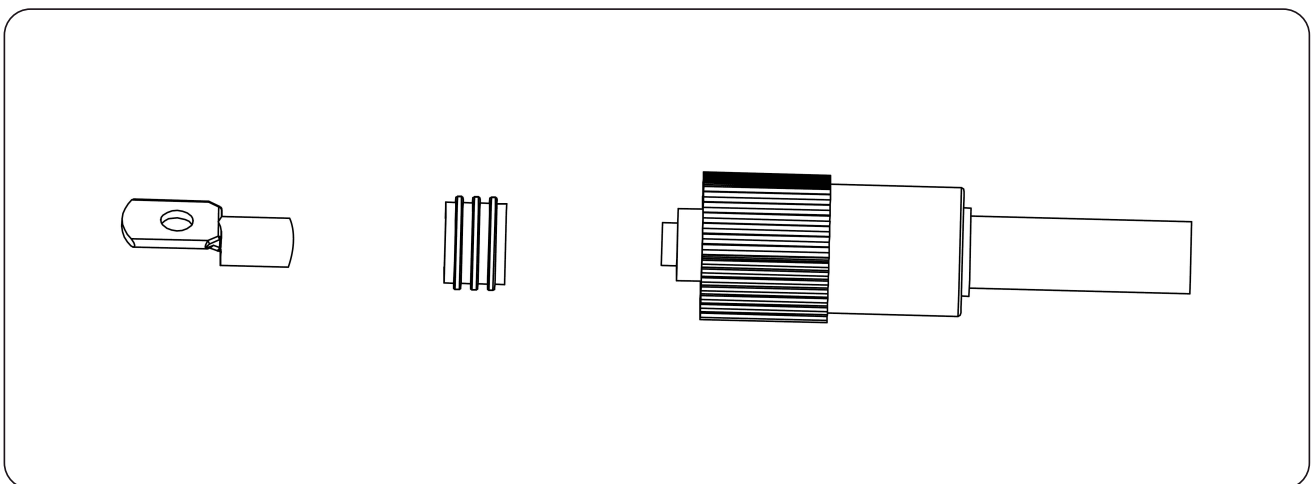
Safety Hint:

Please use approved DC cable for battery system.

Model	Cross section (mm ²)	
	Range	Recommended value
30/35/40/50kW	16.0~25.0 (6~4AWG)	16 (6AWG)

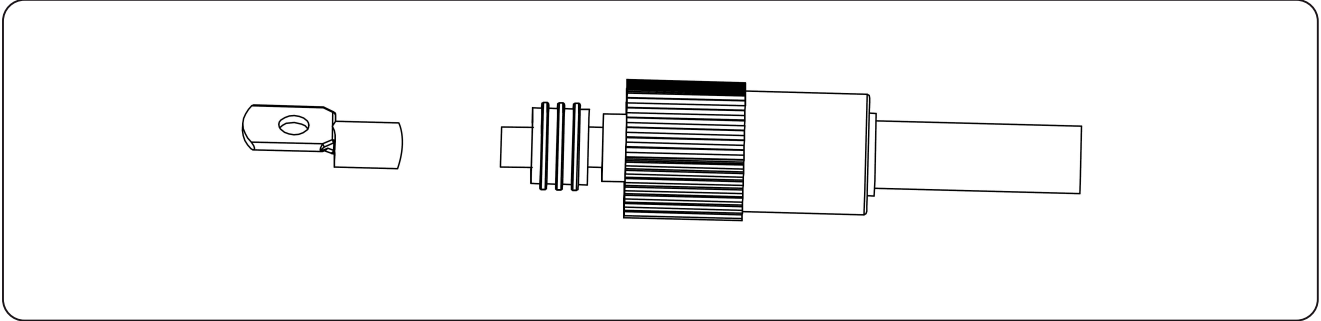
The steps to assemble the battery plug connectors are listed as follows:

- a) Pass the cable through the terminal.

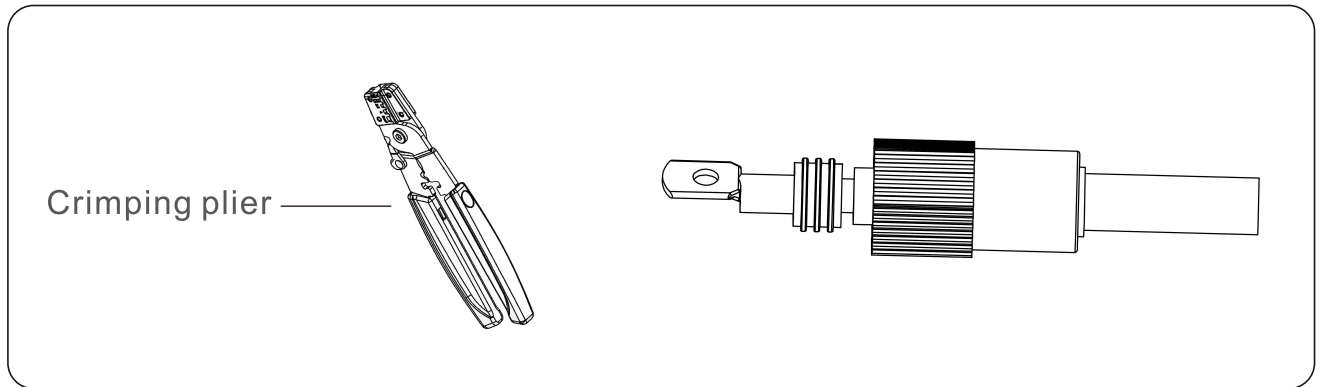


INSTALLATION

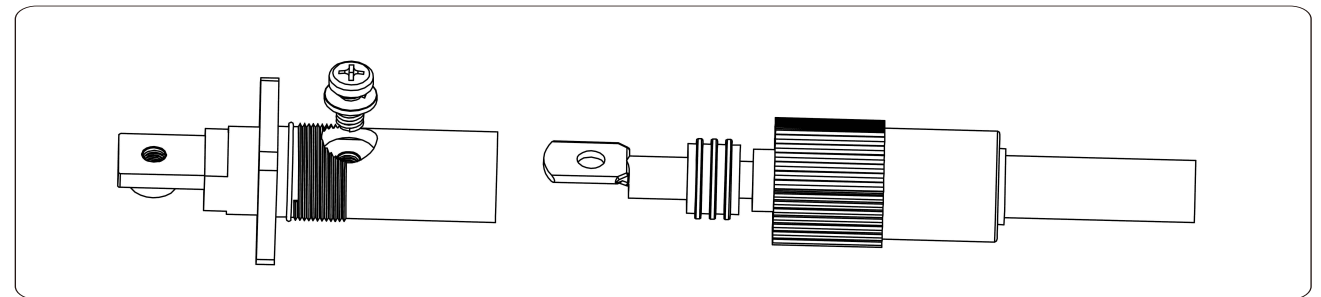
b) Put on the rubber ring.



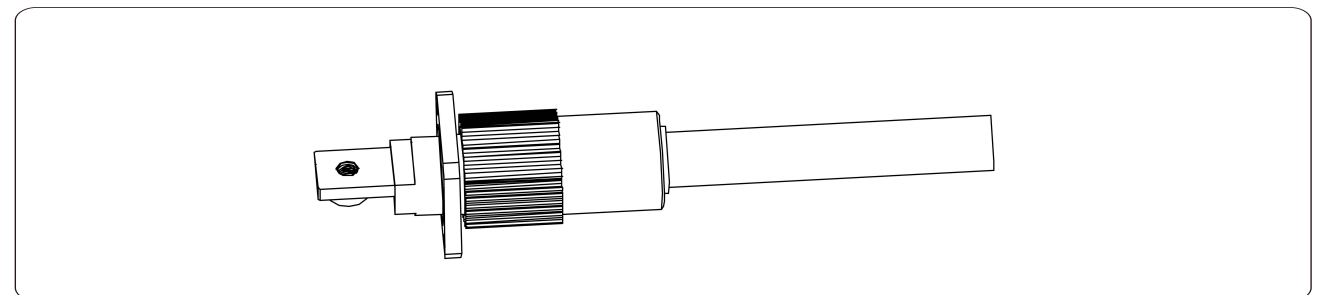
c) Crimp terminals.



d) Fasten terminal with a bolt.

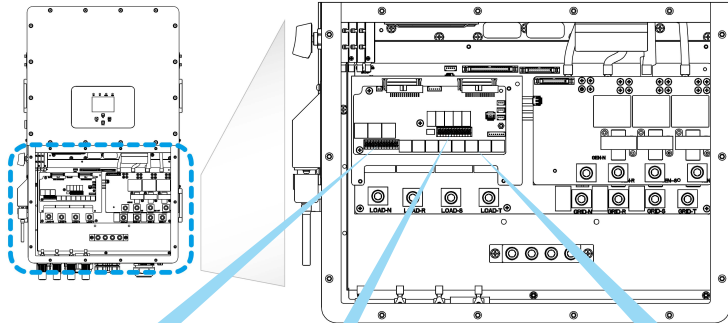


e) Fasten the terminal with outer cover.

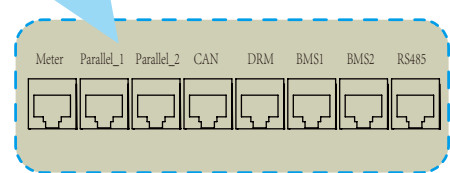
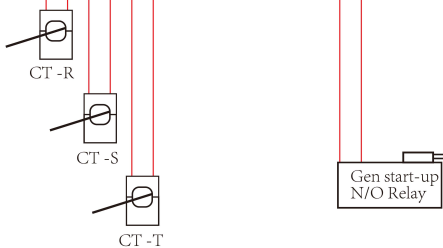
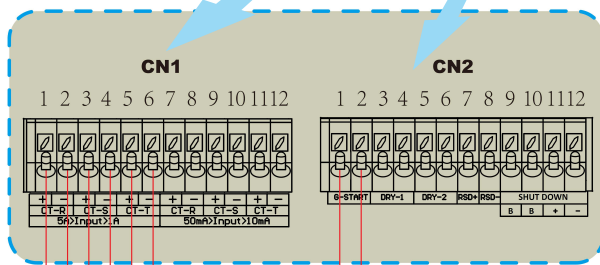


INSTALLATION

FUNCTION PORT DEFINITION



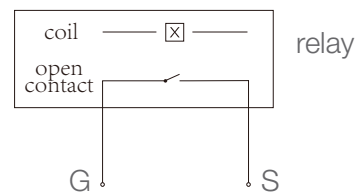
Inverter



Meter: For energy meter communication
 Parallel_1: Parallel communication port 1
 Parallel_2: Parallel communication port 2
 CAN: Reserved
 DRM: Logic interface for AS/ NZS
 4777.2:2020
 BMS1: BMS port for battery communication port 1.
 BMS2: BMS port for battery communication port 2.
 RS485: RS485 port

CN1:
 CT-R (1,2,7,8): Current transformer (CT-R) for “zero export to CT” mode clamps on L1 when in three phase system.
 CT-S (3,4,9,10): Current transformer (CT-S) for “zero export to CT” mode clamps on L2 when in three phase system.
 CT-T (5,6,11,12): Current transformer (CT-T) for “zero export to CT” mode clamps on L3 when in three phase system.

CN2:
 G-start (1,2): Dry contact signal for startup the diesel generator.
 When the "GEN signal" is active, the open contact (GS) will switch on (no voltage output).
 DRY-1 (3,4): Dry contact output. When the inverter is in off-grid mode and the “signal island mode” is checked, the dry contact will switch on.
 DRY-2 (5,6): Reserved.
 RSD (7,8): When battery is connected and the inverter is in "ON" status, it will provide 12Vdc.



GS (diesel generator startup signal)

INSTALLATION

GRID CONNECTION AND BACKUP LOAD CONNECTION

Before connecting to the grid, a separate AC breaker must be installed between the inverter and the grid, and also between the backup load and the inverter. This will ensure the inverter can be securely disconnected during maintenance and fully protected from over current. For the 30/35/40/50kW model, the recommended AC breaker for backup load is 240A. For the 30/35/40/50kW model, the recommended AC breaker for grid is 240A.

There are three terminal blocks with "Grid" "Load" and "GEN" markings. Please do not misconnect input and output connectors.



All wiring must be performed by a qualified personnel. It is very important for system safety and efficient operation to use appropriate cable for AC input connection. To reduce risk of injury, please use the proper recommended cable as below.

Backup load connection (copper wire)

Model	Wire Size	Cable (mm ²)	Torque value (max)
30/35/40/50kW	4/0 AWG	107	28.2 Nm

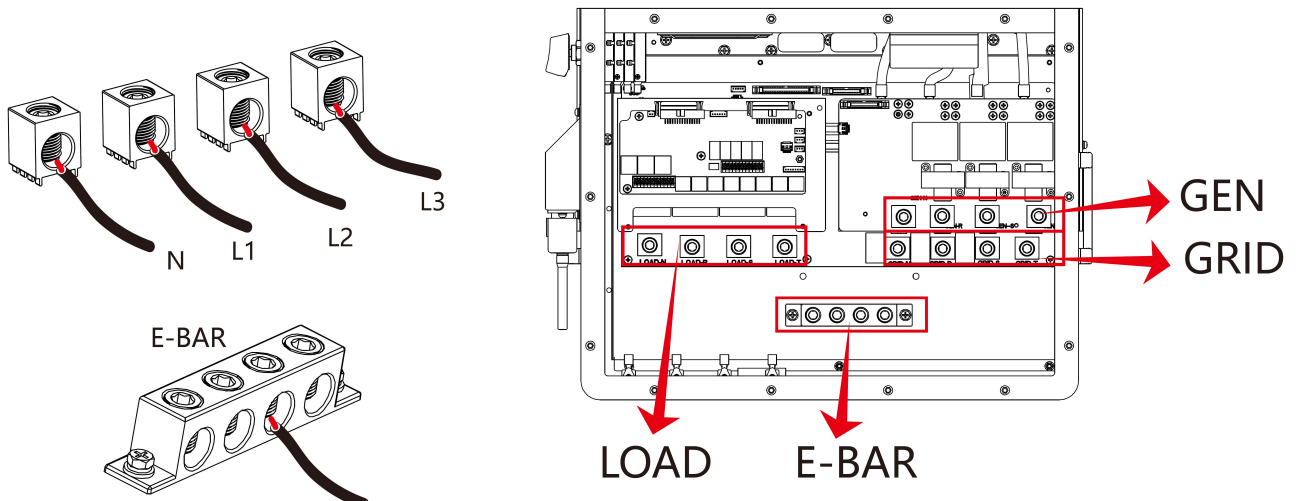
Grid connection (copper wire)

Model	Wire Size	Cable (mm ²)	Torque value (max)
30/35/40/50kW	4/0 AWG	107	28.2 Nm

Recommended Size for AC wires

Please follow below steps to implement Grid, Load and Gen port connection:

- Before making Grid, Load and Gen port connection, be sure to turn off AC breaker or disconnecter first.
- Remove insulation sleeve 10mm length, insert the wires according to polarities indicated on the terminal block. Make sure the connection is complete.



INSTALLATION



Be sure that AC power source is disconnected before attempting to wire it to the unit.

- Then, insert AC output wires according to polarities indicated on the terminal block and tighten terminal. Be sure to connect corresponding N wires and PE wires to related terminals as well.
- Make sure the wires are securely connected.
- Appliances such as air conditioner are required at least 2-3 minutes to restart because it is required to have enough time to balance refrigerant gas inside of circuit. If a power shortage occurs and recovers in short time, it will cause damage to your connected appliances. To prevent this kind of damage, please check manufacturer of air conditioner if it is equipped with time-delay function before installation. Otherwise, this inverter will trigger overload fault and cut off output to protect your appliance but sometimes it still causes internal damage to the air conditioner.

PV CONNECTION

Before connecting to PV modules, please install a separately DC circuit breaker between inverter and PV modules. It is very important for system safety and efficient operation to use appropriate cable for PV module connection.



To avoid any malfunction, do not connect any PV modules with possible leakage current to the inverter. For example, grounded PV modules will cause leakage current to the inverter. When using PV modules, please ensure the PV+ & PV- of solar panel is not connected to the system ground bar.



It is requested to use PV junction box with surge protection. Otherwise, it will cause damage on inverter when lightning occurs on PV modules.

INSTALLATION

PV MODULE SELECTION


When selecting proper PV modules, please be sure to consider below parameters:

- Open circuit Voltage (Voc) of PV modules cannot exceed max. DC input power.
- Open circuit Voltage (Voc) of PV modules should be higher than min. start voltage.
- The PV modules used to connect to this inverter shall be Class A rating certified according to IEC 61730.


Inverter Model	30kW	35kW	40kW	50kW
PV Input Voltage	600V (180V - 1000V)			
PV Array MPPT Voltage Range	150V-850V			
No. Of MPP trackers	3		4	
No. Of Strign per MPP Tracker	2+2+2		2+2+2+2	

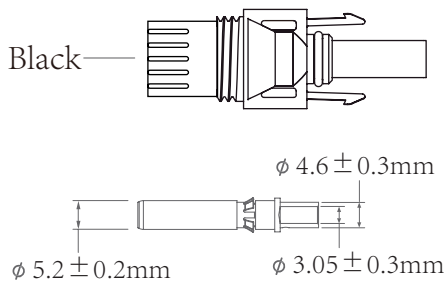
PV MODULE WIRE CONNECTION

- Switch the Grid Supply Main Switch (AC) OFF.
- Switch the DC Isolator OFF.
- Assemble PV input connector to the inverter.

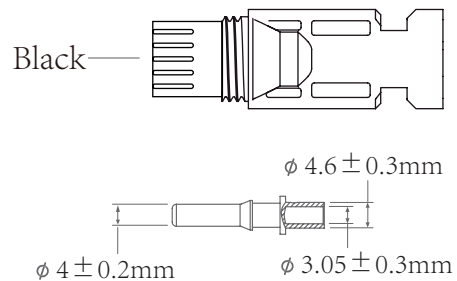
Safety Hint
 When using PV modules, please ensure the PV+ & PV- of solar panel is not connected to the system ground bar.

Safety Hint
 Before connection, please make sure the polarity of PV array matches the “DC+” and “DC-” symbols.

Safety Hint
 Before connecting inverter, please make sure the PV array open circuit voltage is within the 1000V of the inverter.



DC+ male connector



DC- female connector

INSTALLATION



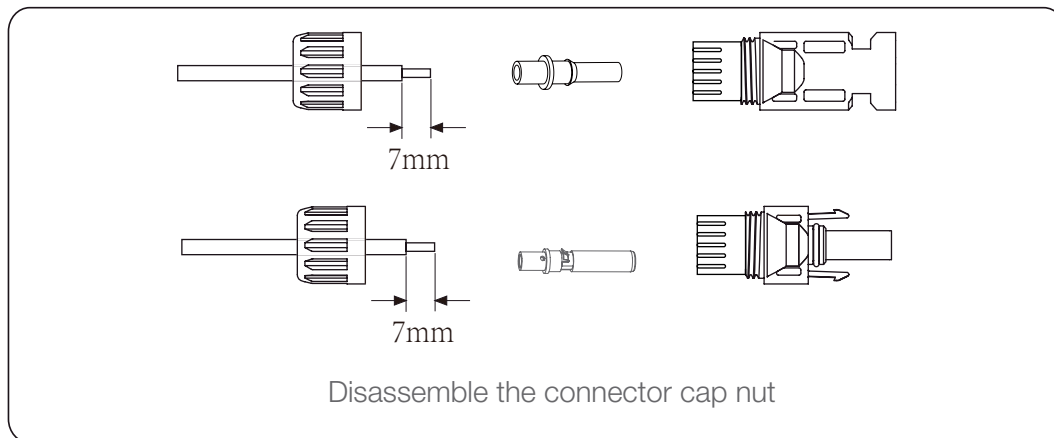
Safety Hint

Please use approved DC cable for PV system.

Cable type	Cross sectiontion (mm ²)	
	Range	Recommended value
Industry generic PV cable (model: PV1-F)	2.5-6 (12~10 AWG)	6 (10AWG)

The steps to assemble the DC connectors are listed as follows:

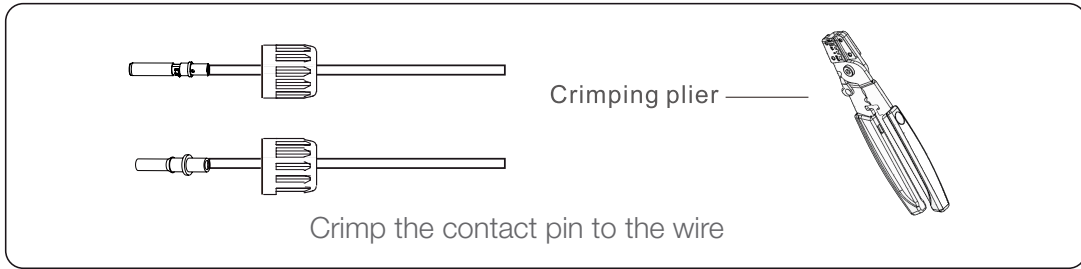
- Strip off the DC wire about 7mm, disassemble the connector cap nut (see below picture)



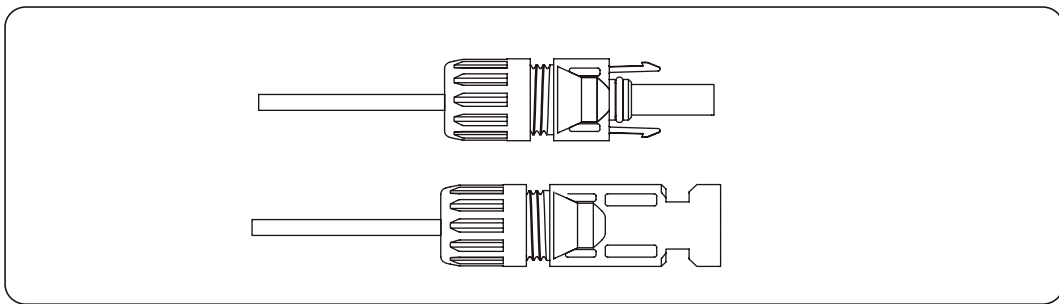
INSTALLATION

PV MODULE WIRE CONNECTION

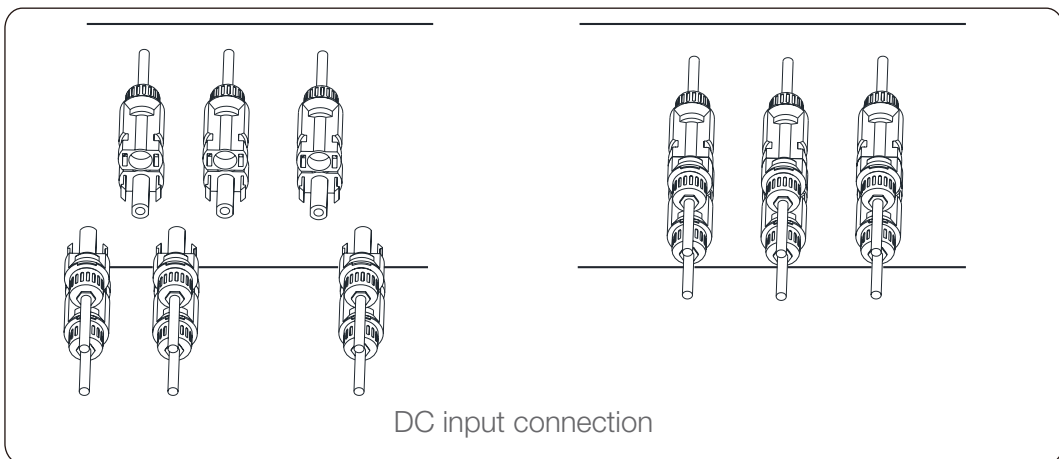
- Crimping metal terminals with crimping pliers as shown in below picture



- Insert the contact pin to the top part of the connector and screw up the cap nut to the top part of the connector. (as shown in below picture)



- Finally insert the DC connector into the positive and negative input of the inverter, shown in below picture.



INSTALLATION

PV MODULE WIRE CONNECTION



Warning

Sunlight shines on the panel will generate voltage, high voltage in series may cause danger to life. Therefore, before connecting the DC input line, the solar panel needs to be blocked by the opaque material and the DC switch should be 'OFF', otherwise, the high voltage of the inverter may lead to life-threatening conditions. Please do not switch off DC isolator for the DC current when there is high voltage or current. Technicians need to wait until night to keep safety.

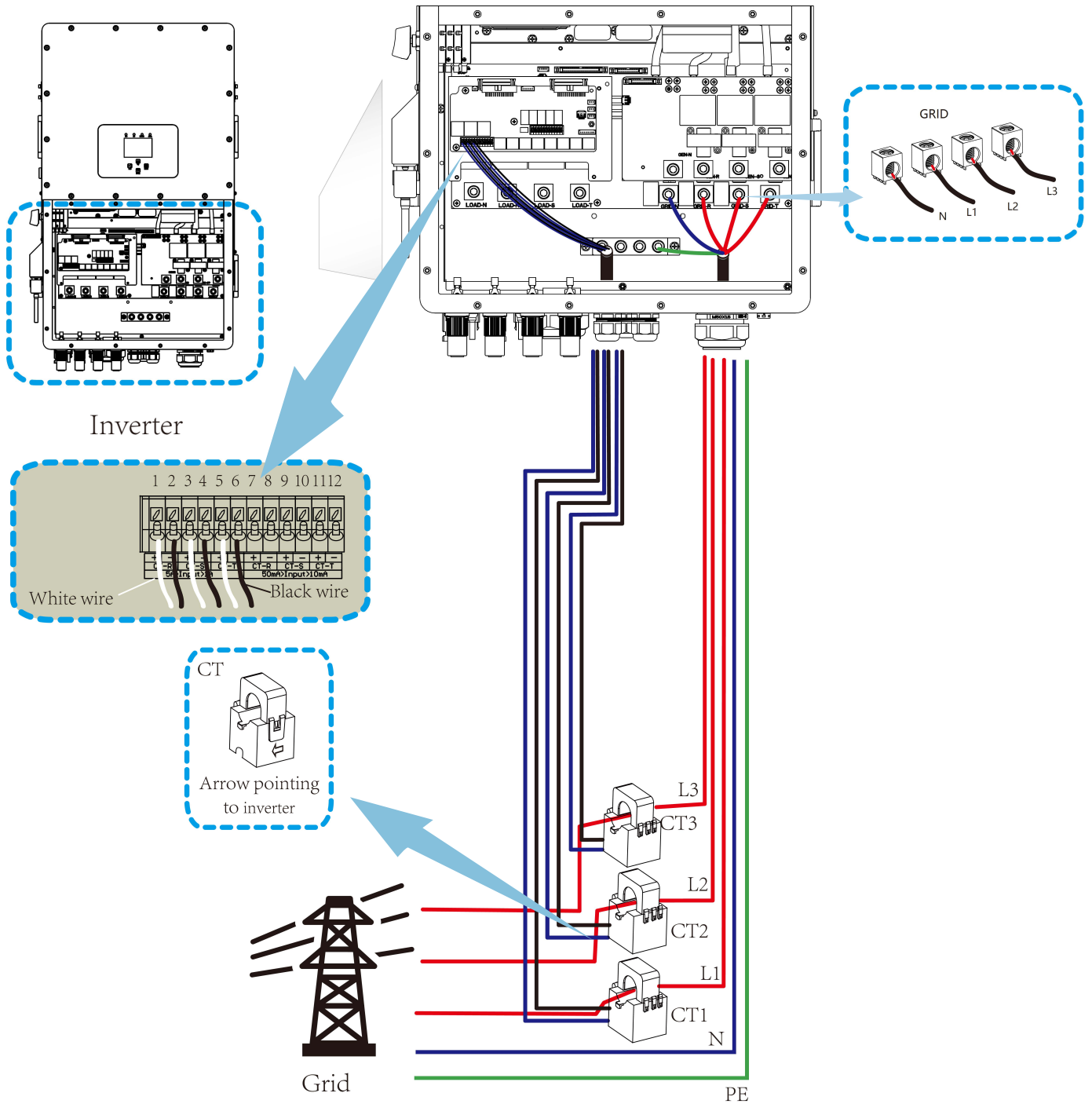


Warning

Use the DC power connector of the accessories. Do not interconnect the connectors of different manufacturers.

INSTALLATION

CT CONNECTION

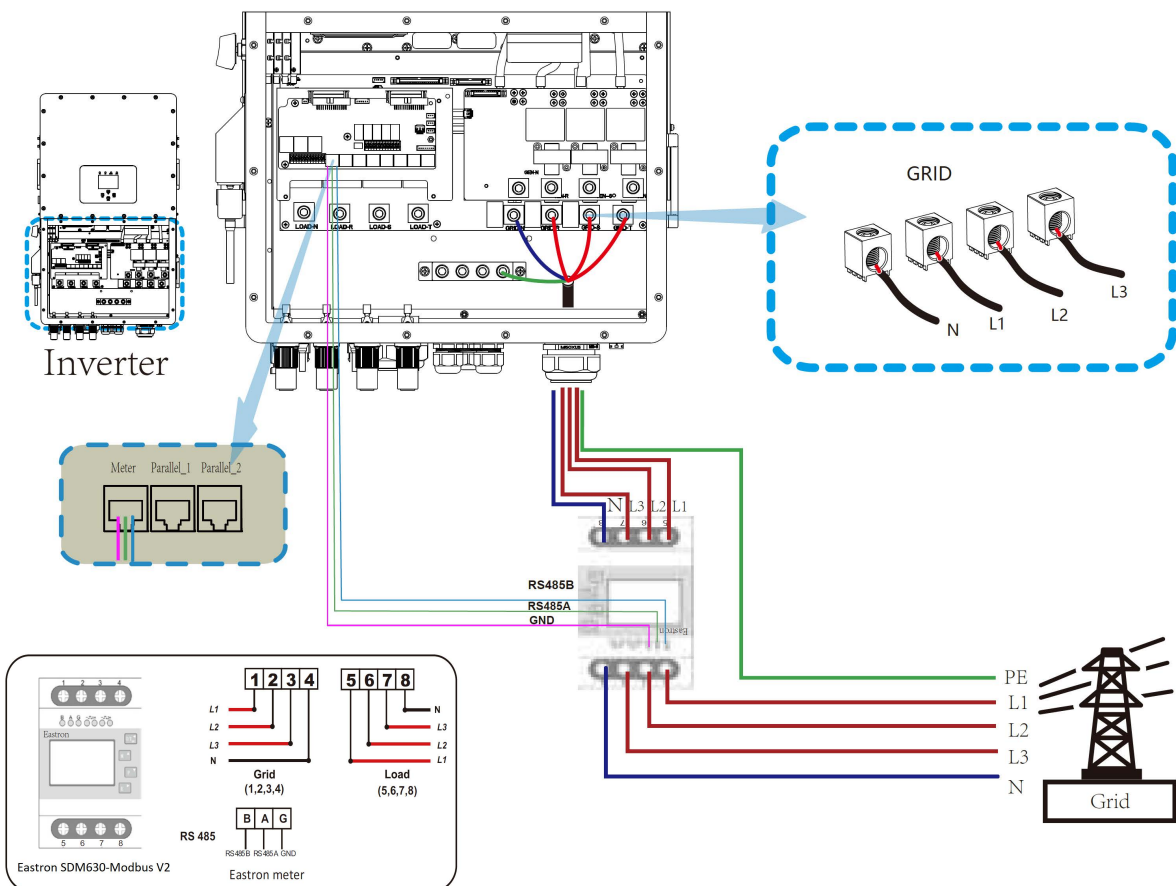
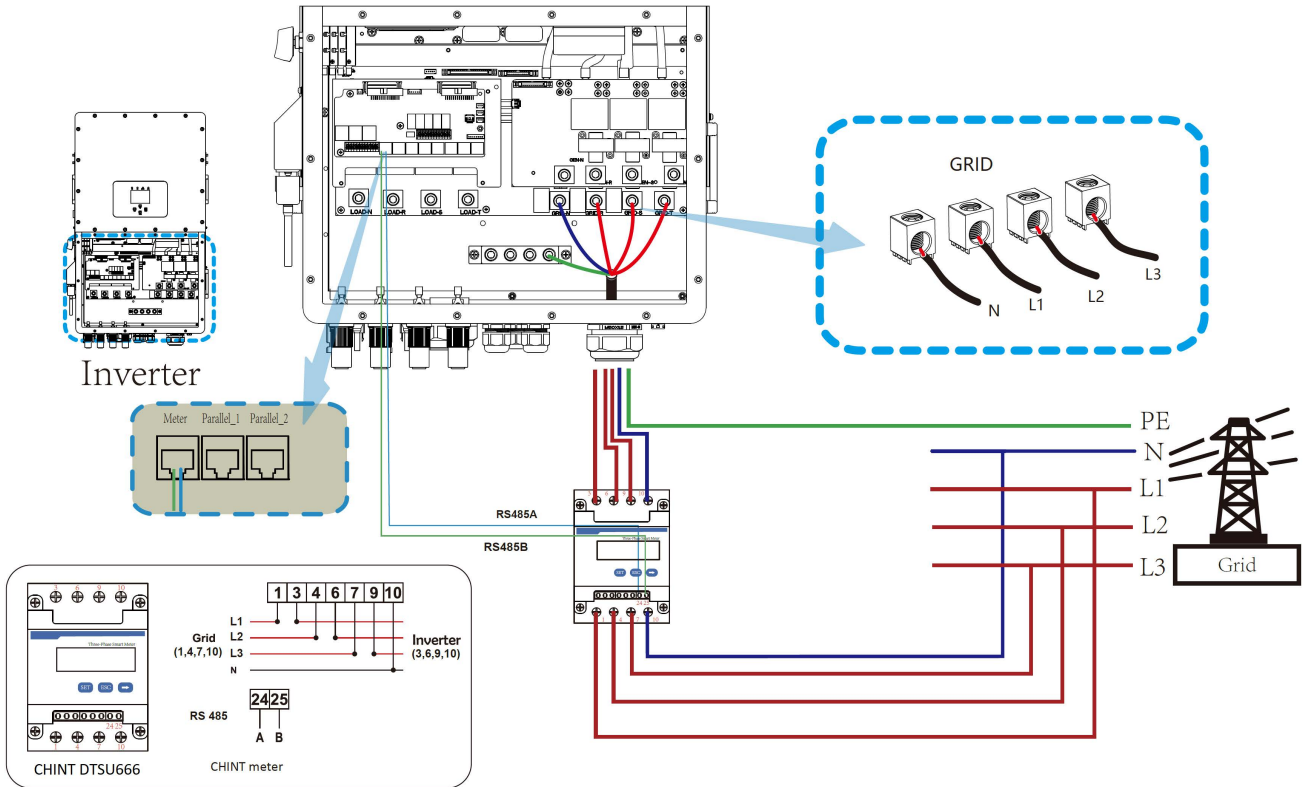


*** Note**

When the reading of the load power on the LCD is not correct, please reverse the CT arrow.

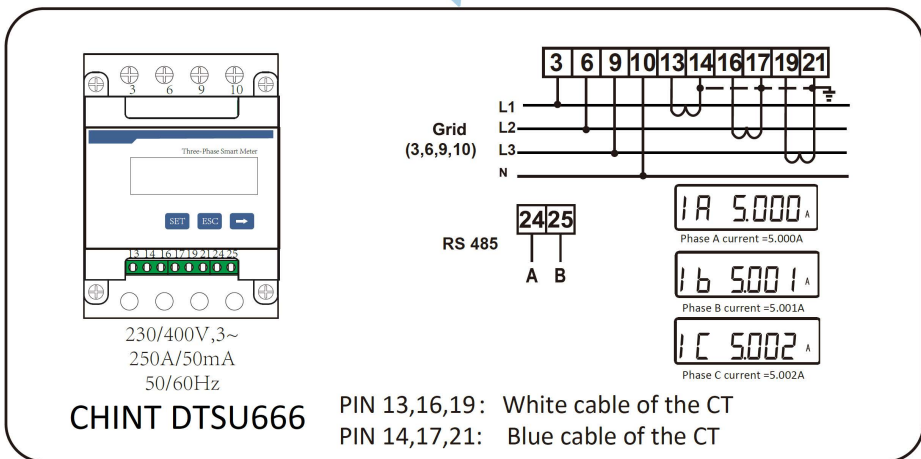
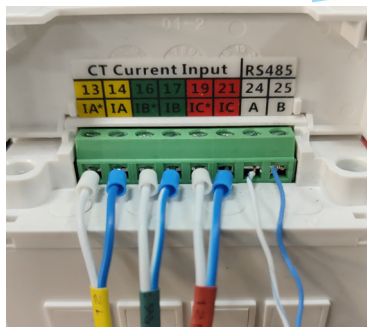
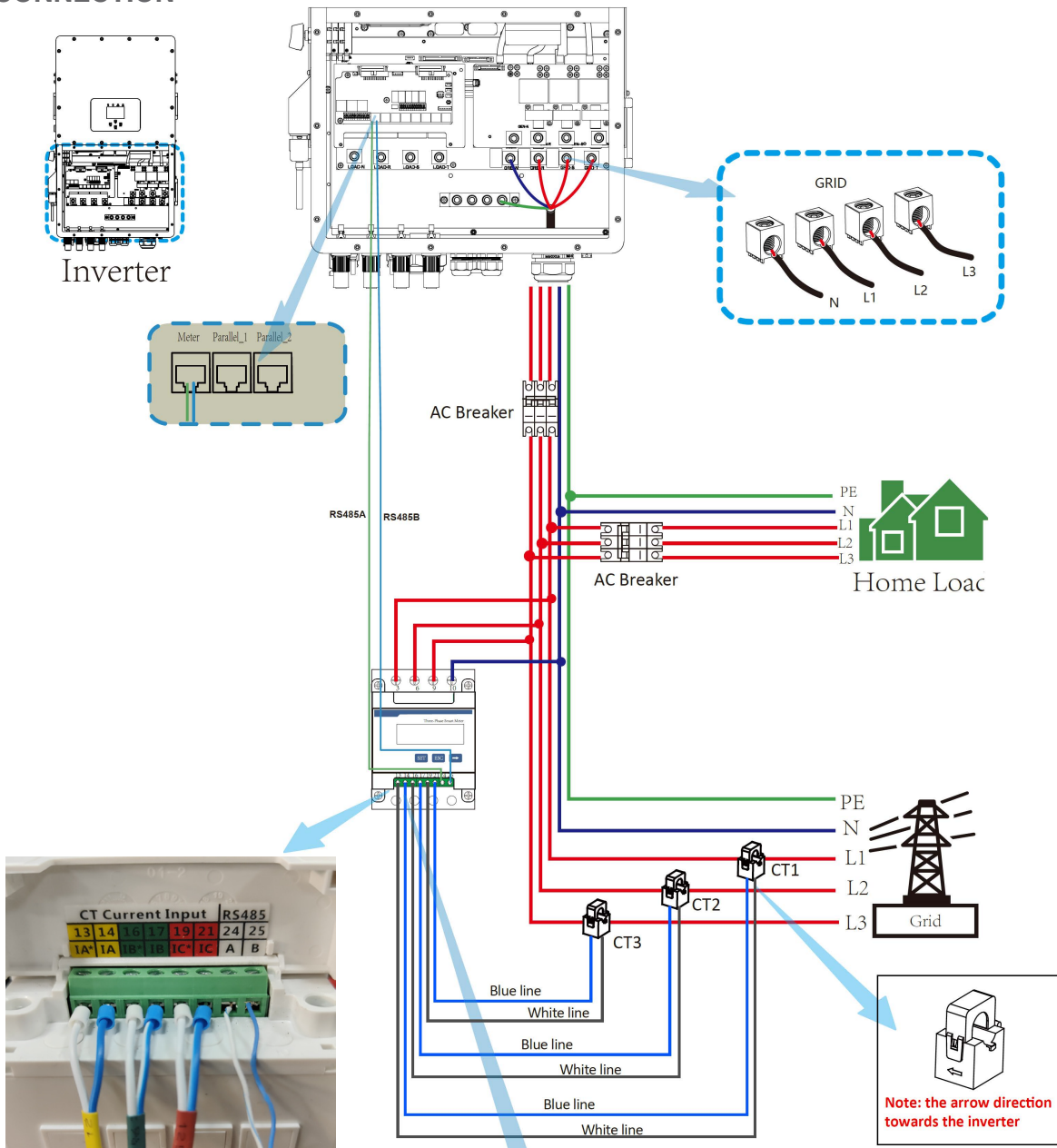
INSTALLATION

METER CONNECTION



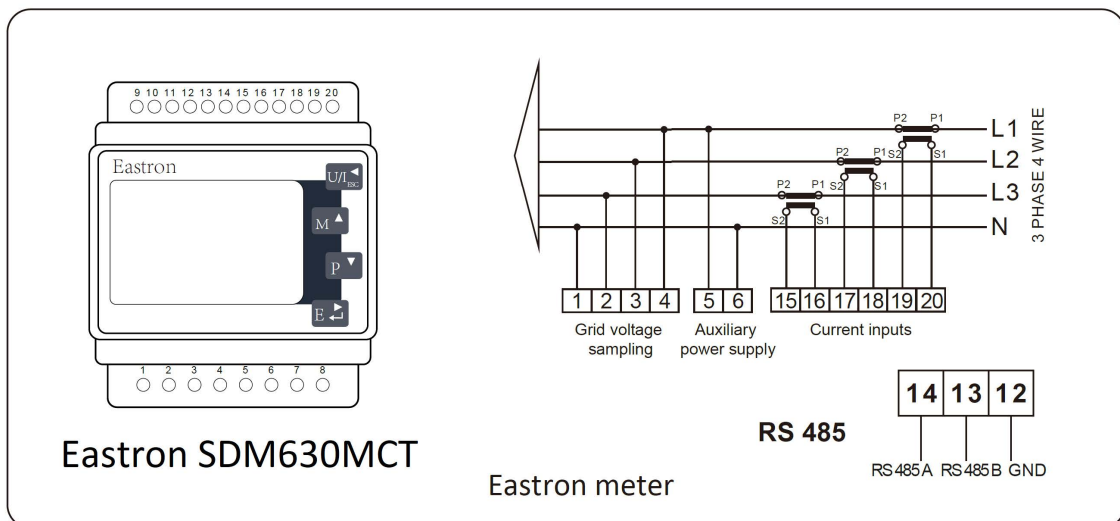
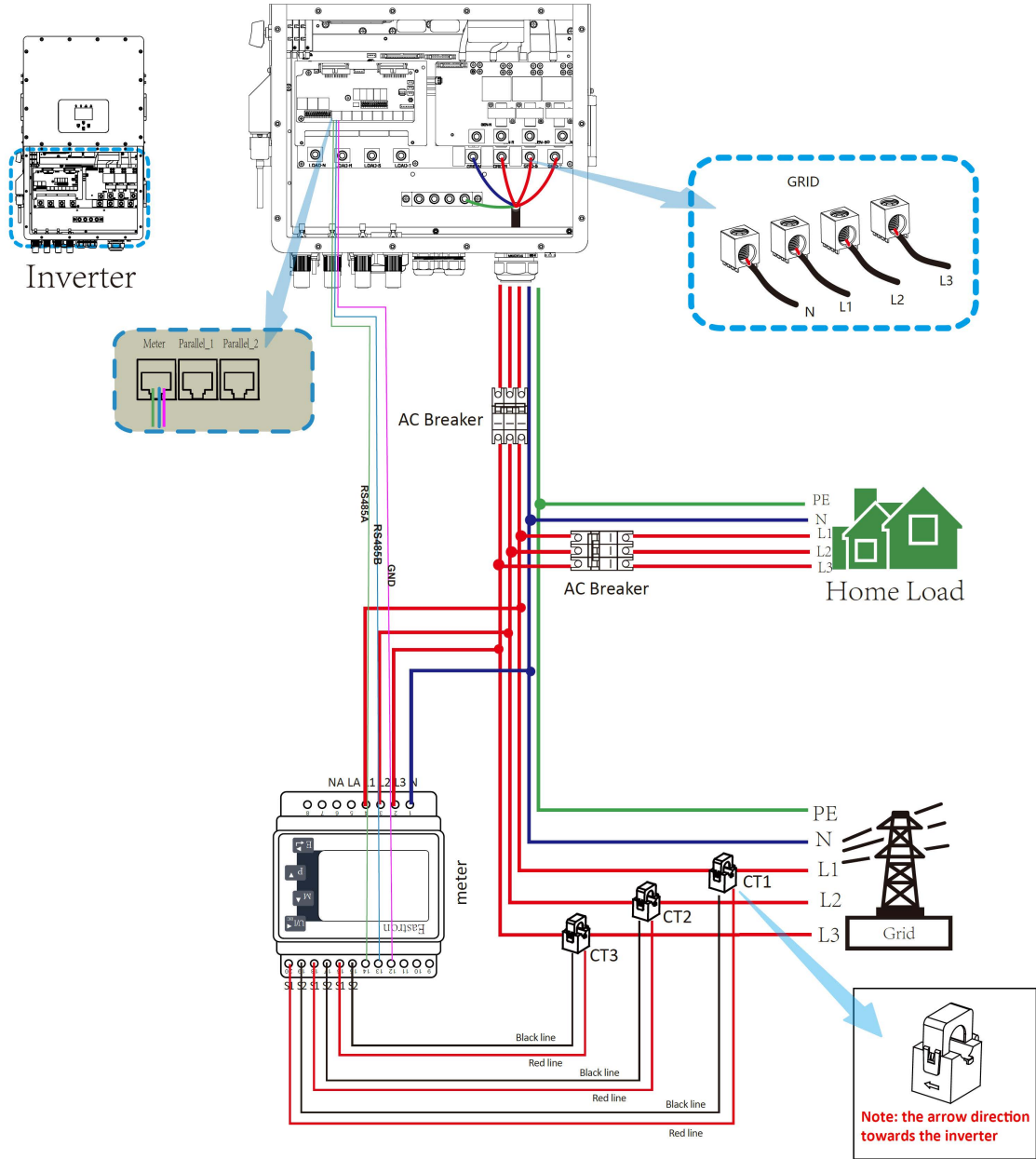
INSTALLATION

METER CONNECTION



INSTALLATION

METER CONNECTION



INSTALLATION



Note

When the inverter is in the off-grid state, the N line needs to be connected to the earth.

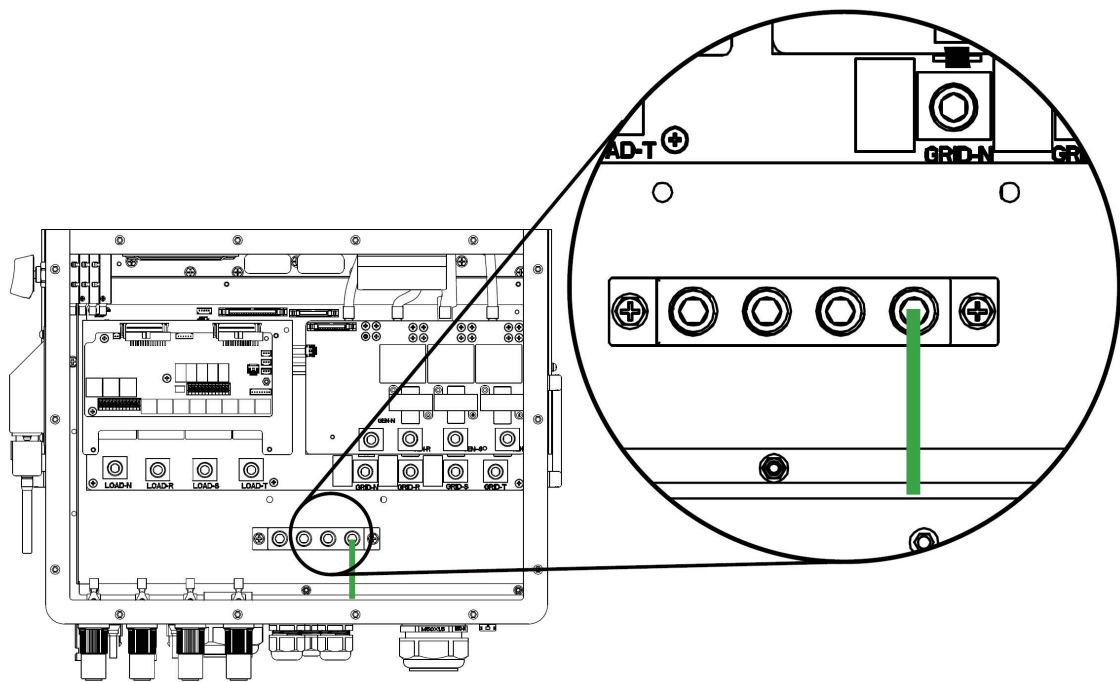


Note

In final installation, breaker certified according to IEC 60947-1 and IEC 60947-2 shall be installed with the equipment.

EARTH CONNECTION (MANDATORY)

Ground cable shall be connected to ground plate on grid side. This prevents electric shock if the original protective conductor fails.



Earth connection (Copper wires)

Model	Wire Size	Cable (mm ²)	Torque value (max)
30/35/40/50kW	0 AWG	53.5	20.3Nm

The conductor should be made of the same metal as the phase conductors.

WIFI CONNECTION

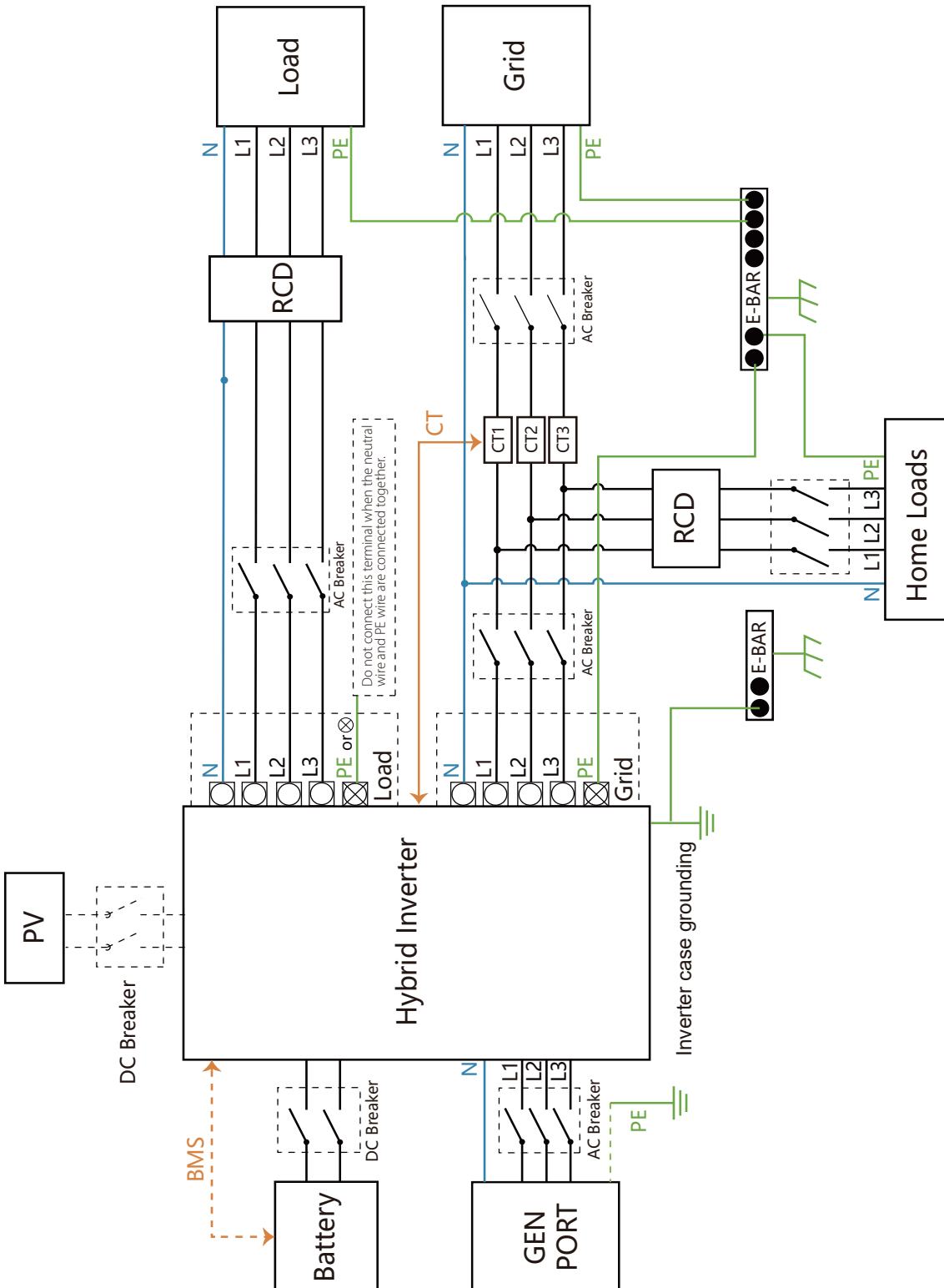
For the configuration of Wi-Fi Plug, please refer to illustrations of the Wi-Fi Plug. The Wi-Fi Plug is not a standard configuration, it's optional.

INSTALLATION

WIRING SYSTEM FOR INVERTER

This diagram is an example for an application that neutral connects with the optional PE in a distribution box.

For countries such as Australia, New Zealand, South Africa, etc., please follow local wiring regulations!



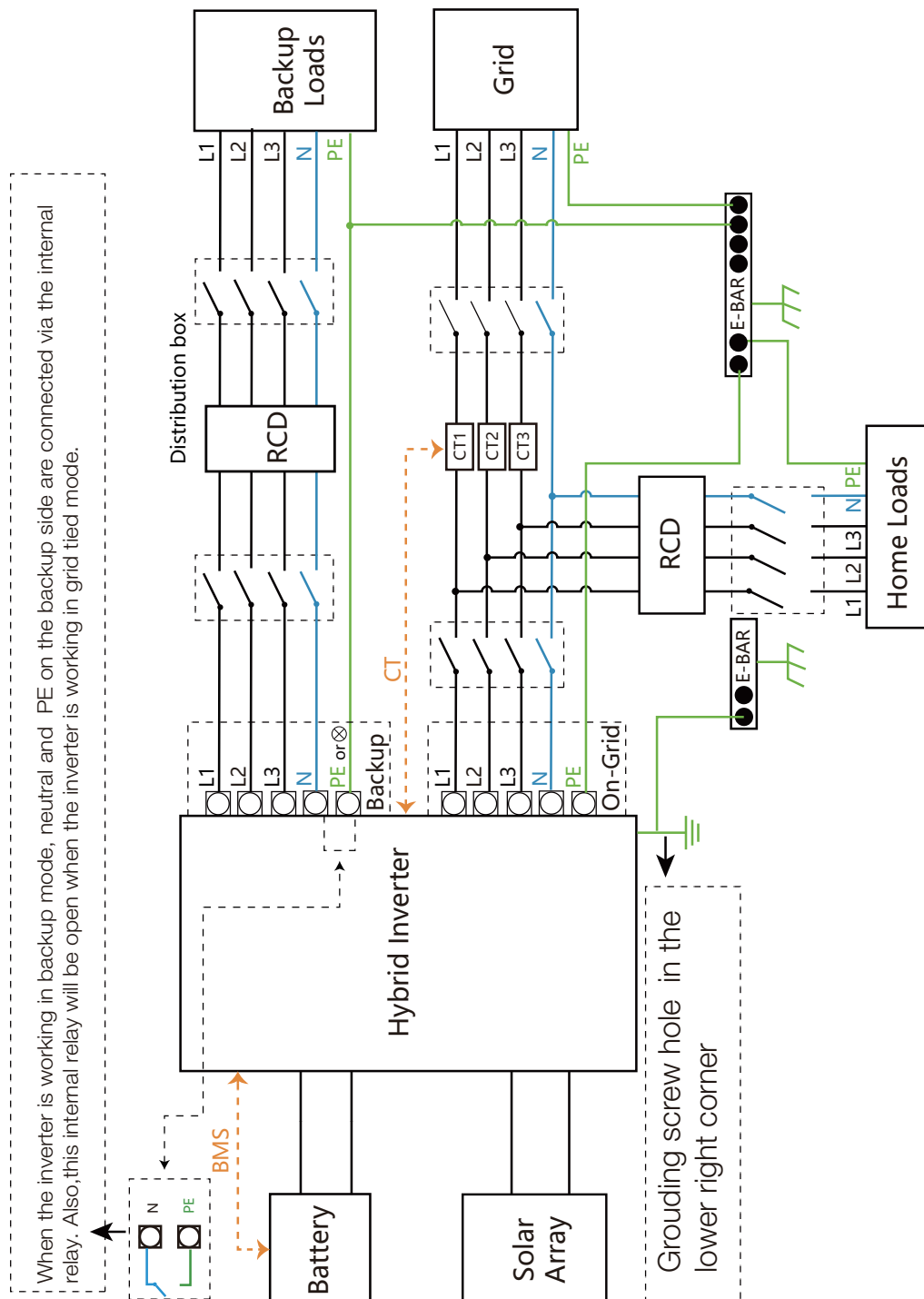
INSTALLATION

WIRING DIAGRAM

This diagram is an example for an application in which neutral is separated from the PE in the distribution box. For countries such as China, Germany, the Czech Republic, Italy, etc., please follow local wiring regulations.

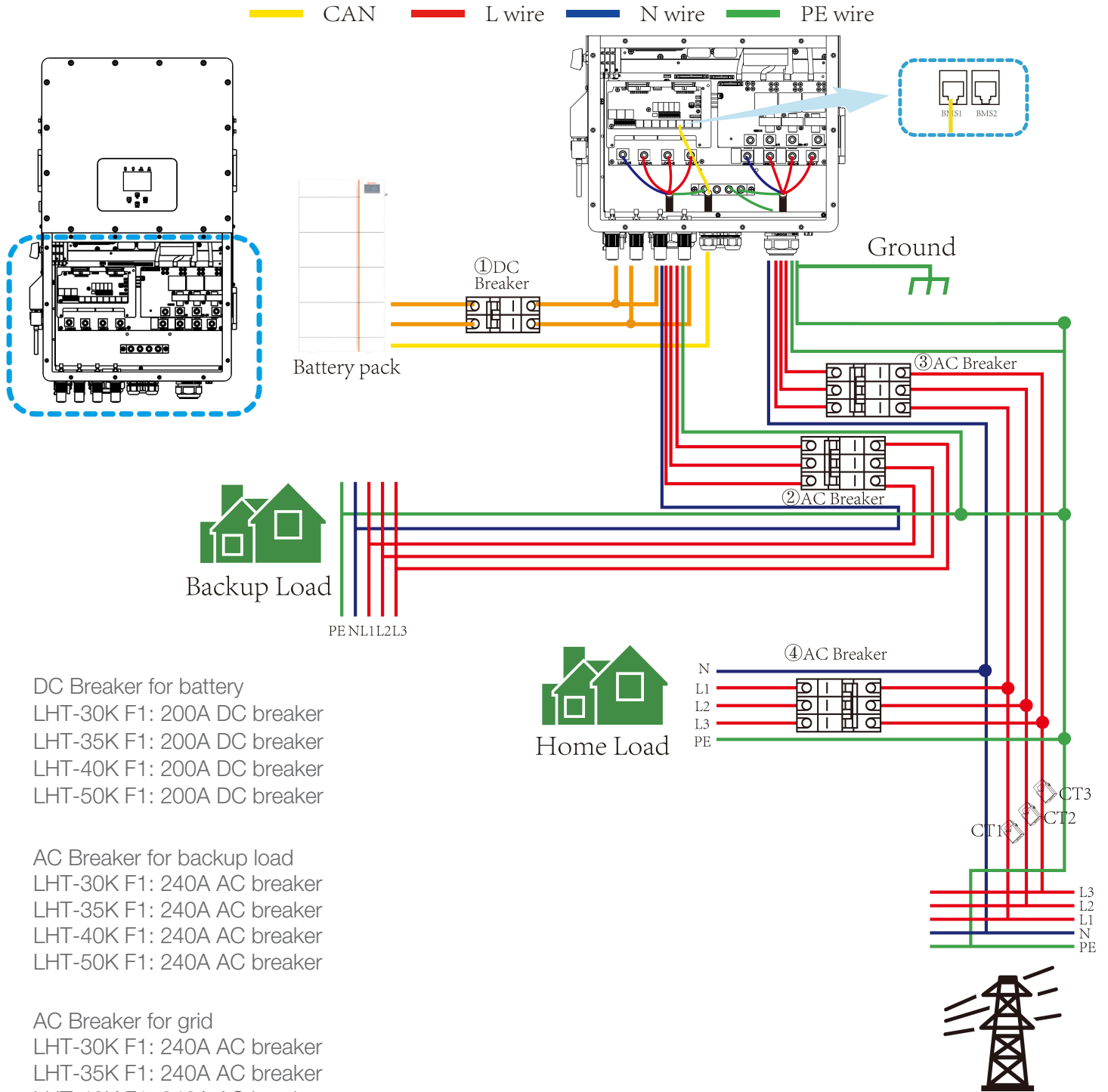
Note

Backup function is optional in German market. Please leave backup side empty if backup function is not available in the inverter.



INSTALLATION

WIRING DIAGRAM



DC Breaker for battery
 LHT-30K F1: 200A DC breaker
 LHT-35K F1: 200A DC breaker
 LHT-40K F1: 200A DC breaker
 LHT-50K F1: 200A DC breaker

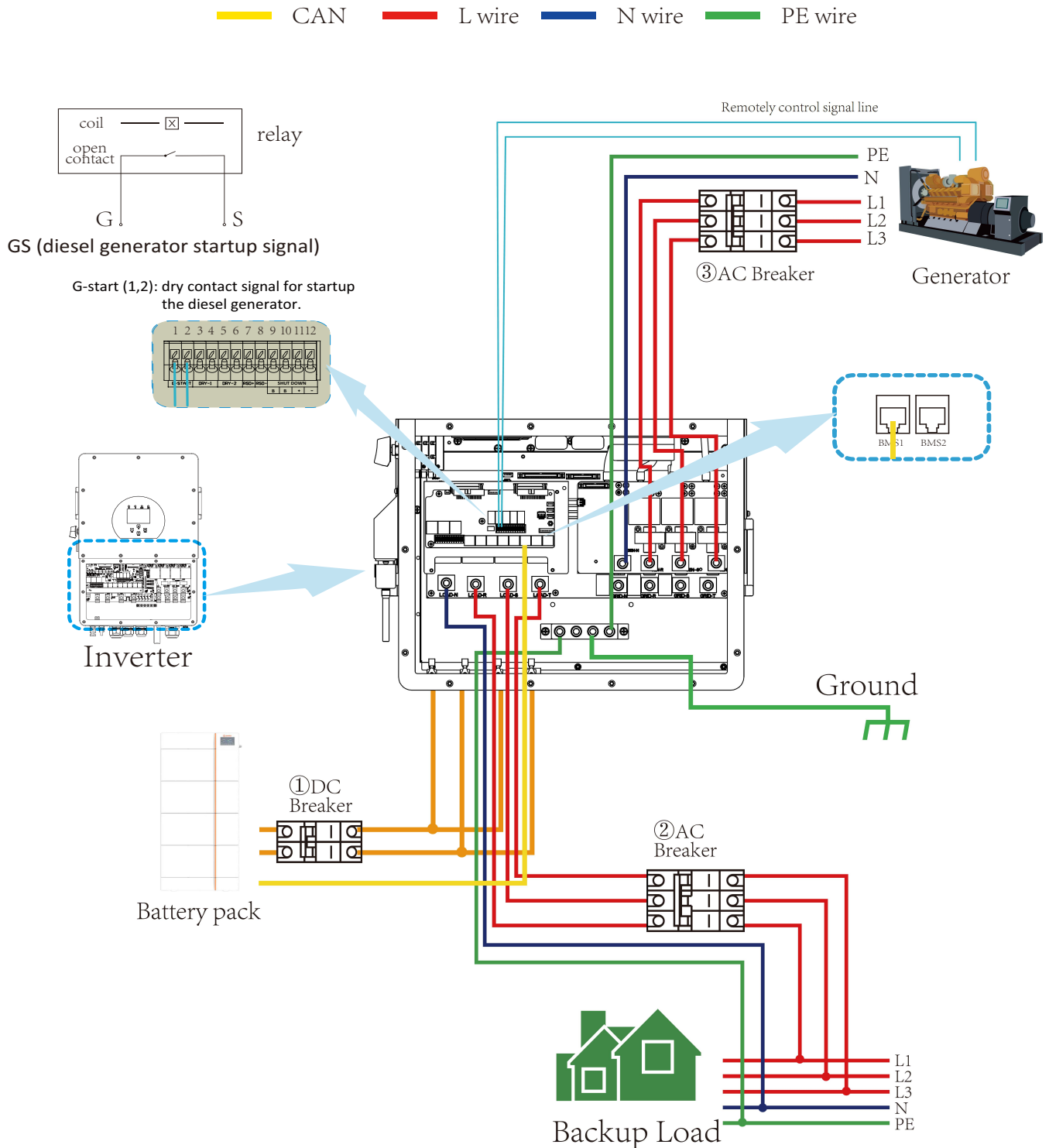
AC Breaker for backup load
 LHT-30K F1: 240A AC breaker
 LHT-35K F1: 240A AC breaker
 LHT-40K F1: 240A AC breaker
 LHT-50K F1: 240A AC breaker

AC Breaker for grid
 LHT-30K F1: 240A AC breaker
 LHT-35K F1: 240A AC breaker
 LHT-40K F1: 240A AC breaker
 LHT-50K F1: 240A AC breaker

AC Breaker for home load
 Depends on household loads

INSTALLATION

TYPICAL APPLICATION DIAGRAM OF DIESEL GENERATOR



DC Breaker for battery
 LHT-30K F1: 200A DC breaker
 LHT-35K F1: 200A DC breaker
 LHT-40K F1: 200A DC breaker
 LHT-50K F1: 200A DC breaker

AC Breaker for backup load
 LHT-30K F1: 240A AC breaker
 LHT-35K F1: 240A AC breaker
 LHT-40K F1: 240A AC breaker
 LHT-50K F1: 240A AC breaker

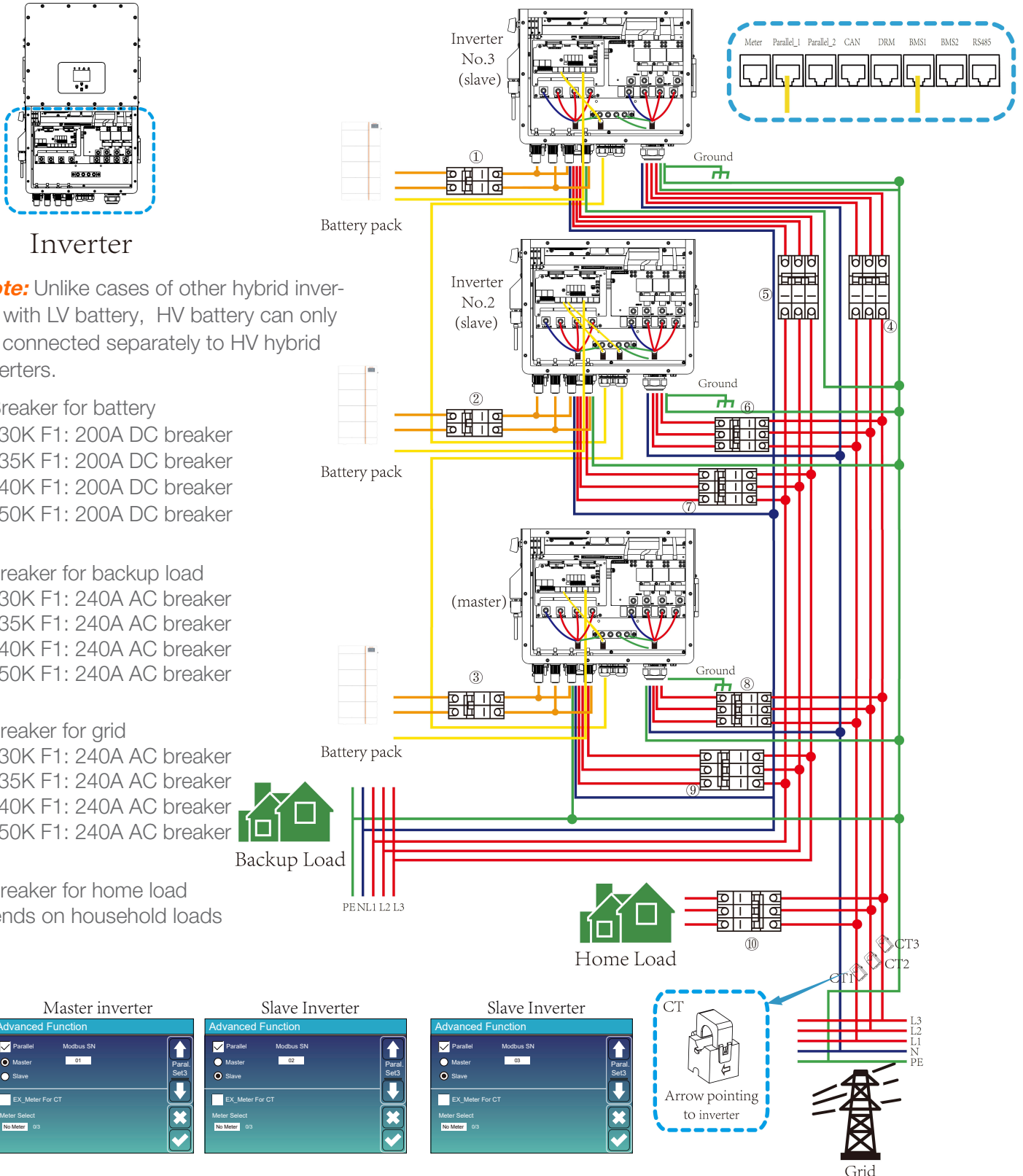
AC Breaker for grid
 LHT-30K F1: 240A AC breaker
 LHT-35K F1: 240A AC breaker
 LHT-40K F1: 240A AC breaker
 LHT-50K F1: 240A AC breaker

INSTALLATION

THREE PHASE PARALLEL CONNECTION DIAGRAM

Note: The function of Multiple units work in parallel mode is available. For the parallel system, the lead-acid battery is not supported. Please use approved lithium battery.

— CAN — L wire — N wire — PE wire



OPERATION

POWER ON/OFF

Once the unit has been properly installed and the batteries are connected well, simply press On/Off button (located on the left side of the case) to turn on the unit. When system without battery connected, but connected with either PV or grid, and ON/OFF button is switched off, LCD will still light up (Display will show OFF). In this condition, when switch on ON/OFF button and select NO battery, system can still working.

OPERATION AND DISPLAY PANEL

The operation and display panel, shown in following chart, is on the front panel of the inverter. It includes four indicators, four function keys and a LCD display, indicating the operating status and input/output power information.

<i>LED Indicator</i>	<i>Messages</i>	
DC	Green led solid light	PV Connection normal
AC	Green led solid light	Grid Connection normal
Normal	Green led solid light	Inverter operating normal
Alarm	Red led solid light	Malfunction or warning

LED indicators

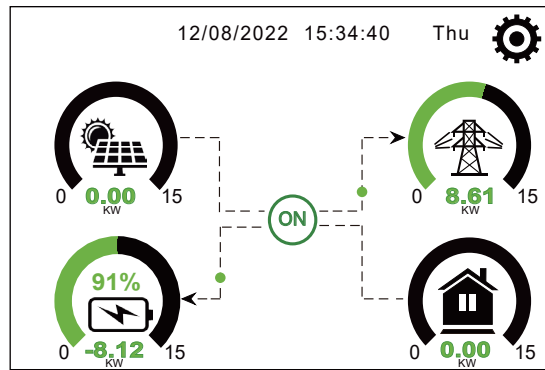
<i>Function Key</i>	<i>Description</i>
Esc	To exit setting mode
Up	To go to previous selection
Down	To go to next selection
Enter	To confirm the selection

Function Buttons

LCD DISPLAY ICONS

MAIN SCREEN

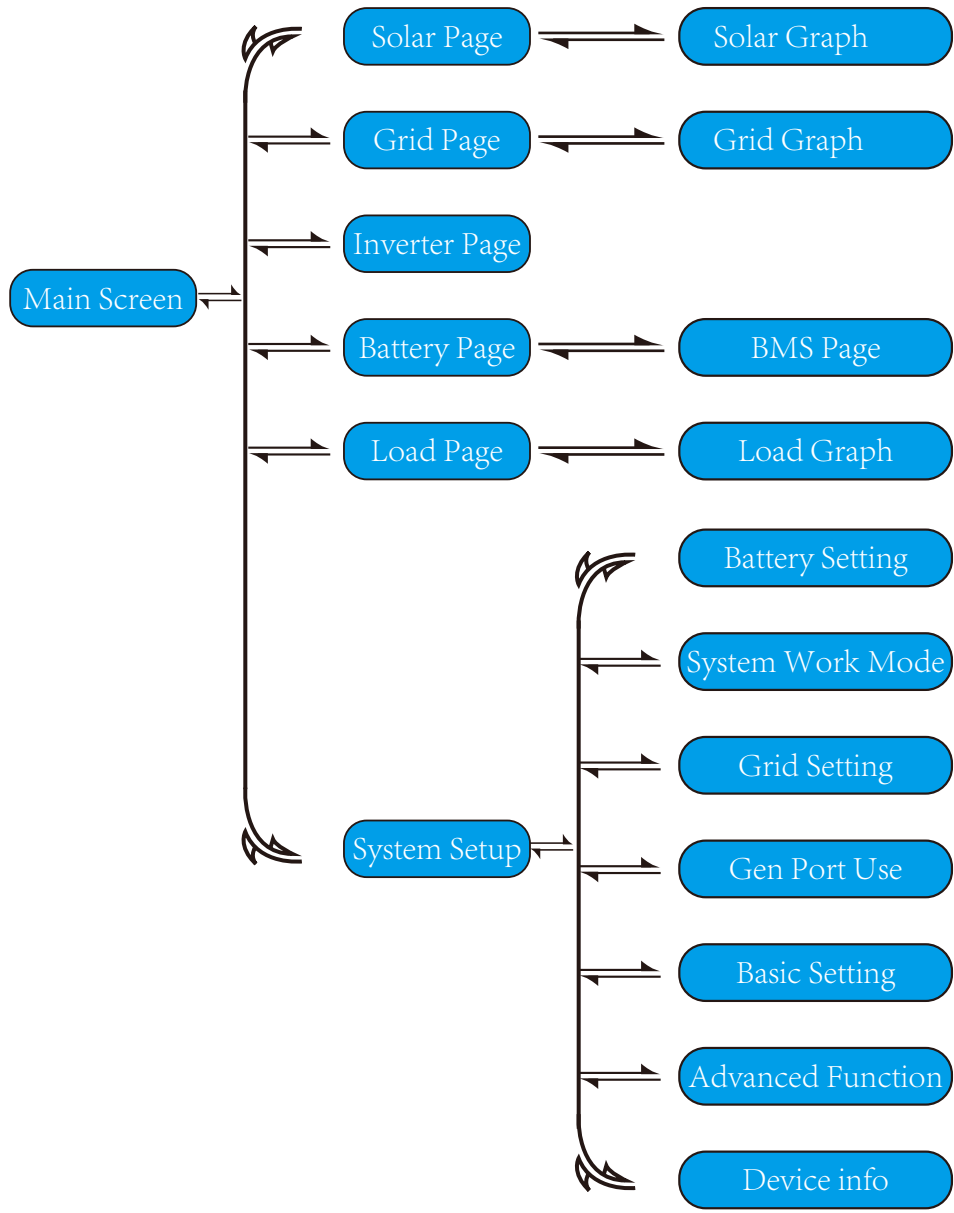
The LCD is touchscreen. Below screen shows the overall information of the inverter.



- The icon in the center of the home screen indicates that the system is Normal operation. If it turns into "comm./F01~F64" , it means the inverter has communication errors or other errors. The error message will display under this icon (F01-F64 errors, detail error info can be viewed in the System Alarms menu).
- At the top of the screen is the time.
- System Setup Icon. Press this set button, you can enter into the system setup screen which including Basic Setup, Battery Setup, Grid Setup, System Work Mode, Generator port use, Advanced function and Li-Batt info.
- The main screen showing the info including Solar, Grid, Load and Battery. It's also displaying the energy flow direction by arrow. When the power is approximate to high level, the color on the panels will change from green to red so system info showing vividly on the main screen.
- PV power and Load power always keep positive.
- Grid power negative means sell to grid. Positive means get from grid.
- Battery power negative means charge. Positive means discharge.

LCD DISPLAY ICONS

LCD OPERATION FLOW CHART



LCD DISPLAY ICONS

SOLAR POWER CURVE

Solar

PV1-V: 286V	PV1-I: 5.5A	PV1-P: 1559W
PV2-V: 286V	PV2-I: 5.5A	PV2-P: 1559W

Power: 1560W

Today=8.0 KWH
Total =12.00 KWH

Energy

This is Solar Panel detail page:

- ① Solar Panel Generation
- ② Voltage, Current, Power for each MPPT
- ③ Daily and total PV production

Press the “Energy “button will enter into the power curve page.

1166w	1244w 50Hz	-81w 50Hz
221v 0w 229v 1166w 225v 0w	222v 0.8w 229v 5.0w 229v 0.9w HM: LD: -10W 28W 5W 1192W 0W 24W	222v 0.1A 230v 0.1A 223v 0.1A INV_P: -30W -26W AC_T: -25W 38.8C
Load	Grid	Inverter
21w 0w 0w 150V 150V -0.41A -0.41A 27.0C 27.0C	0W 0V 0.0A	0W 0V 0.0A
Battery	PV	

This is Inverter detail page:

- ① Inverter Generation.
Voltage, Current, Power for each Phase.
AC-T: mean Heat-sink temperature.

Solar

PV1-V: 286V	PV1-I: 5.5A	PV1-P: 1559W
PV2-V: 286V	PV2-I: 5.5A	PV2-P: 1559W

Power: 1560W

Today=8.0 KWH
Total =12.00 KWH

Energy

This is Back-up Load detail page

- ① Back-up Power
- ② Voltage, Power for each Phase
- ③ Daily and total backup consumption

Press the “Energy “ button will enter into the power curve page.

Grid

Stand by 0W 0.0Hz	BUY Today=2.2KWH Total =11.60 KWH SELL Today=0.0KWH Total =8.60 KWH
CT1: 0W LD1: 0W CT2: 0W LD2: 0W CT3: 0W LD3: 0W	
L1: 0V L2: 0V L3: 0V	

Energy

This is Grid detail page.

- ① Status, Power, Frequency
- ② L: Voltage for each Phase
CT: Power detected by the external current sensors
LD: Power detected using internal sensors on AC grid in/out breaker
- ③ BUY: Energy from Grid to Inverter
SELL: Energy from Inverter to grid

Press the "Energy" button will enter into the power curve.

LCD DISPLAY ICONS

SOLAR POWER CURVE

Batt

Battery 1
Stand by

U:170V
I:2.04A
Power: 101W
Temp:25.0C

Energy

Li-BMS

Mean Voltage:170.0V Charging Voltage :180.0V
Total Current:37.00A Discharging Voltage :160.0V
Mean Temp :23.5C Charging current :30A
Total SOC :38% Discharging current :25A
Dump Energy:57Ah

Sum Data
Details Data

Li-BMS

	Volt	Curr	Temp	SOC	Energy	Charge		Fault
						Volt	Curr	
1	150.3V	19.70A	30.6C	52.0%	26.0Ah	0.0V	0.0A	0 0 0
2	150.2V	19.10A	31.0C	51.0%	25.5Ah	153.2V	25.0A	0 0 0
3	150.1V	16.90A	30.2C	12.0%	6.0Ah	153.2V	25.0A	0 0 0
4	0.00V	0.00A	0.0C	0.0%	0.0Ah	0.0V	0.0A	0 0 0
5	0.00V	0.00A	0.0C	0.0%	0.0Ah	0.0V	0.0A	0 0 0
6	0.00V	0.00A	0.0C	0.0%	0.0Ah	0.0V	0.0A	0 0 0
7	0.00V	0.00A	0.0C	0.0%	0.0Ah	0.0V	0.0A	0 0 0
8	0.00V	0.00A	0.0C	0.0%	0.0Ah	0.0V	0.0A	0 0 0
9	0.00V	0.00A	0.0C	0.0%	0.0Ah	0.0V	0.0A	0 0 0
10	0.00V	0.00A	0.0C	0.0%	0.0Ah	0.0V	0.0A	0 0 0
11	0.00V	0.00A	0.0C	0.0%	0.0Ah	0.0V	0.0A	0 0 0
12	0.00V	0.00A	0.0C	0.0%	0.0Ah	0.0V	0.0A	0 0 0
13	0.00V	0.00A	0.0C	0.0%	0.0Ah	0.0V	0.0A	0 0 0
14	0.00V	0.00A	0.0C	0.0%	0.0Ah	0.0V	0.0A	0 0 0
15	0.00V	0.00A	0.0C	0.0%	0.0Ah	0.0V	0.0A	0 0 0

Sum Data
Details Data

This is Battery detail page.
If you use Lithium Battery, you can enter BMS page.

Curve Page-Solar & Load & Grid

Solar Power Production:Day

2019-5-28

CANCEL Day Month Year Total

System Solar Power:Month

5-2019

CANCEL Day Month Year Total

System Solar Power:Year

2019

CANCEL Day Month Year Total

System Solar Power:Total

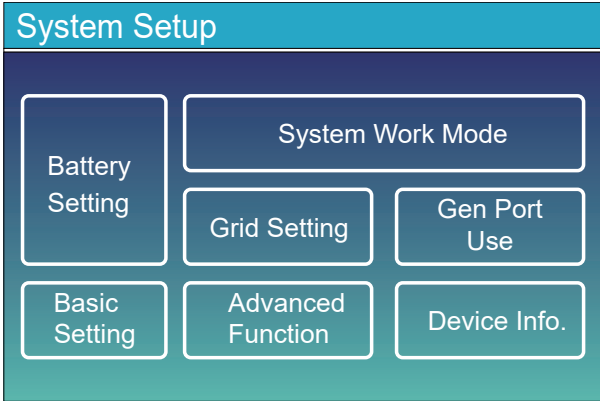
TOTAL

CANCEL Day Month Year Total

Solar power curve for daily, monthly, yearly and total can be roughly checked on the LCD, for more accuracy power generation, pls check on the monitoring system. Click the up and down arrow to check power curve of different period.

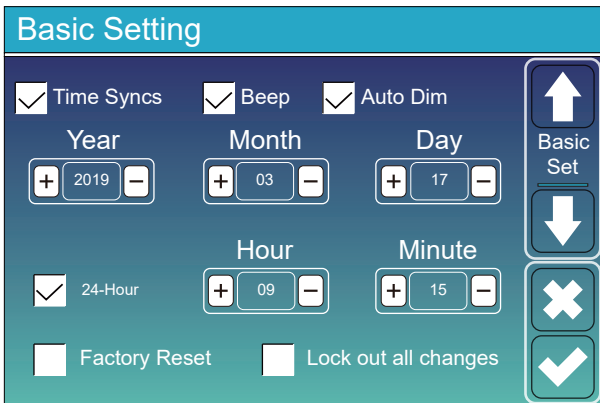
LCD DISPLAY ICONS

System Setup Menu

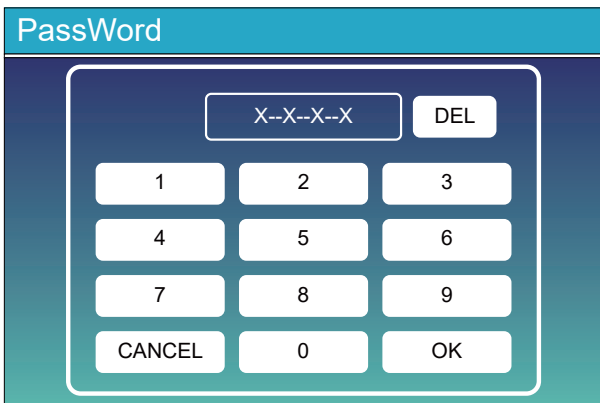


This is System Setup page.

Basic Setup Menu



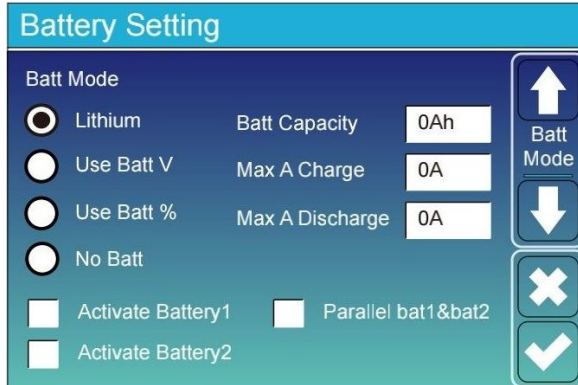
Factory Reset: Reset all parameters of the inverter.
Lock out all changes: Enable this menu for setting parameters that require locking and cannot be set up. Before performing a successful factory reset and locking the systems, to keep all changes you need to type in a password to enable the setting. The password for factory settings is 9999 and for lock out is 7777.



Factory Reset Password: 9999
Lock out all changes Password: 7777

LCD DISPLAY ICONS

BATTERY SETUP MENU



Battery capacity: It shows your battery bank size to hybrid inverter.

Use Batt V: Use Battery Voltage for all the settings (V).

Use Batt %: Use Battery SOC for all the settings (%).

Max. A charge/discharge: Max battery charge/discharge current (0-37A for 5/6/8/10/12/15/20KW model).

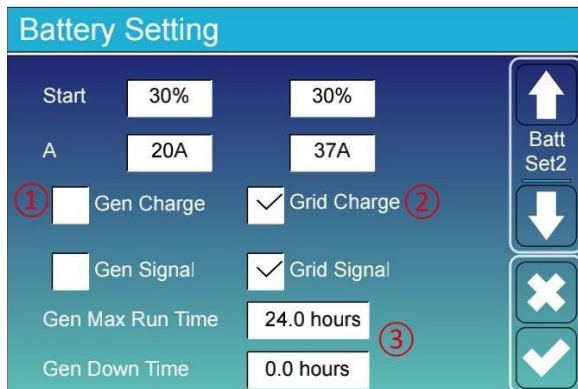
For AGM and Flooded, we recommend Ah battery size x 20%= Charge/Discharge amps.

– For Lithium, we recommend Ah battery size x 50% = Charge/Discharge amps.

– For Gel, follow manufacturer' s instructions.

No Batt: Tick this item if no battery is connected to the system.

Activate Battery1/Activate Battery2: This feature will help recover a battery that is over discharged by slowly charging from the solar array or grid.



This is Battery Setup page. ①③

Start =30%: When percent SOC below 30%, system will AutoStart a connected generator to charge the battery bank.

A = 20A: Charge rate of 20A from the attached generator in Amps.

Gen Charge: Uses the gen input of the system to charge battery bank from an attached generator.

Gen Signal: Normally open relay that closes when the Gen Start signal state is active.

Gen Max Run Time: It indicates the longest time Generator can run in one day. When time is up, the Generator will be turned off. 24H means that it does not shut down all the time.

Gen Down Time: It indicates the delay time of the Generator to shut down after it has reached the running time.

This is Grid Charge, you need to select.

②

Start =30%: No use, Just for customization.

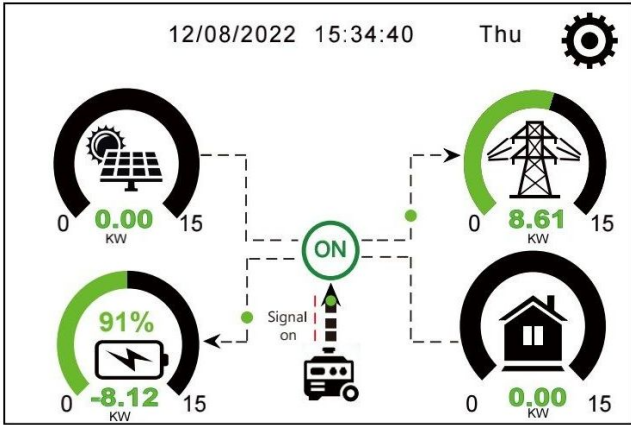
A = 37A: It indicates the Current that the grid charges the Battery.

Grid Charge: It indicates that the grid charges the battery.

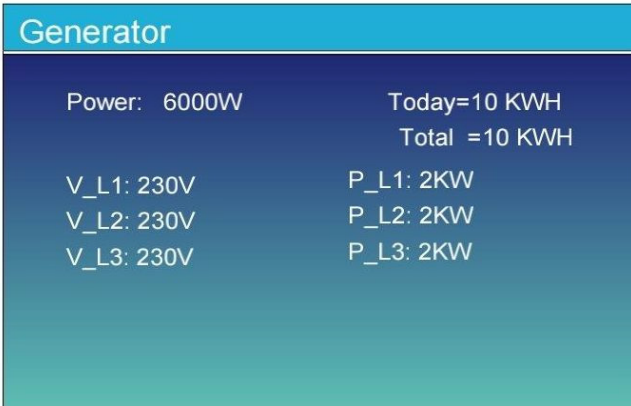
Grid Signal: Disable.

LCD DISPLAY ICONS

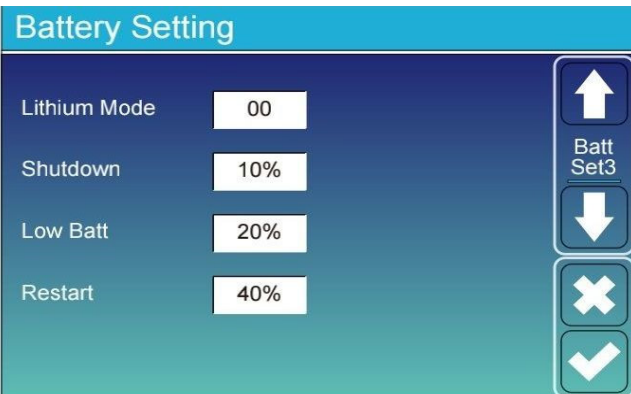
BATTERY SETUP MENU



This page tells how the PV and diesel generator power the load and battery.



This page tells generator output voltage, frequency, power. And, how much energy is used from generator.



Lithium Mode: This is BMS protocol. Please refer to the document (Approved Battery).
Shutdown 10%: It indicates the inverter will shutdown if the SOC below this value.
Low Batt 20%: It indicates the inverter will alarm if the SOC below this value.
Restart 40%: Battery SOC at 40% AC output will resume.

Recommended battery settings

Battery Type	Absorption Stage	Float Stage	Torque value (every 30 days 3hr)
Lithium	Follow battery BMS voltage parameters		

LCD DISPLAY ICONS

SYSTEM WORK MODE SETUP MENU



Work Mode

Selling First: This Mode allows hybrid inverter to sell back any excess power produced by the solar panels to the grid. If time of use is active, the battery energy also can be sold into grid.

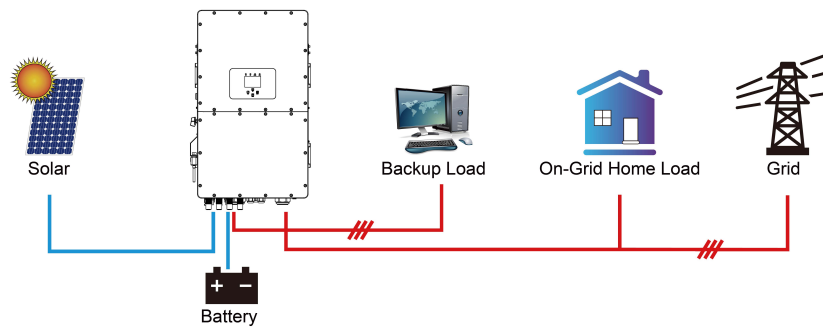
The PV energy will be used to power the load and charge the battery and then excess energy will flow to grid.

Power source priority for the load is as follows:

1. Solar Panels.
2. Grid.
3. Batteries (until programmable % discharge is reached).

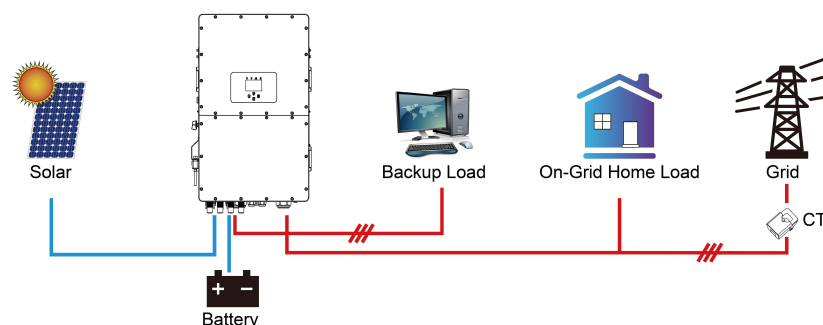
Zero Export To Load:

Hybrid inverter will only provide power to the backup load connected. The hybrid inverter will neither provide power to the home load nor sell power to grid. The built-in CT will detect power flowing back to the grid and will reduce the power of the inverter only to supply the local load and charge the battery.



Zero Export To CT:

Hybrid inverter will not only provide power to the backup load connected but also give power to the home load connected. If PV power and battery power is insufficient, it will take grid energy as supplement. The hybrid inverter will not sell power to grid. In this mode, a CT is needed. Please refer to chapter of CT Connection for the installation method of the CT. The external CT will detect power flowing back to the grid and will reduce the power of the inverter only to supply the local load, charge battery and home load.



LCD DISPLAY ICONS

Solar Sell: “Solar sell” is for Zero export to load or Zero export to CT: When this option is active, the surplus energy can be sold back to grid. When it is active, PV Power source priority usage is as follows: load consumption and charge battery and feed into grid.

Max. sell power: The maximum output power to flow to grid allowed.

Zero-export Power: For zero-export mode, it tells the grid output power. Recommend to set it as 20-100W to ensure the hybrid inverter won't feed power to grid.

Energy Pattern: PV Power source priority.

Batt First: PV power is firstly used to charge the battery and then used to power the load. If PV power is insufficient, grid will make supplement for battery and load simultaneously.

Load First: PV power is firstly used to power the load and then used to charge the battery. If PV power is insufficient, Grid will provide power to load.

Max Solar Power: The maximum DC input power allowed.

Grid Peak-shaving: When active, grid output power will be limited within the set value. If the load power exceeds the allowed value, it will take PV energy and battery as supplement. If still can't meet the load requirement, grid power will increase to meet the load needs.

System Work Mode						
Grid Charge	Gen	Time Of Use		Power	Batt	
		Time	Time			
<input type="checkbox"/>	<input type="checkbox"/>	01:00	5:00	12000	160V	<input checked="" type="checkbox"/> Work Mode2 <input type="checkbox"/> <input type="checkbox"/> <input type="checkbox"/> <input type="checkbox"/> <input checked="" type="checkbox"/>
<input type="checkbox"/>	<input type="checkbox"/>	05:00	9:00	12000	160V	
<input checked="" type="checkbox"/>	<input type="checkbox"/>	09:00	13:00	12000	160V	
<input checked="" type="checkbox"/>	<input type="checkbox"/>	13:00	17:00	12000	160V	
<input checked="" type="checkbox"/>	<input type="checkbox"/>	17:00	21:00	12000	160V	
<input checked="" type="checkbox"/>	<input type="checkbox"/>	21:00	01:00	12000	160V	
<input checked="" type="checkbox"/>	<input type="checkbox"/>					

Time of use: It is used to program when to use grid or generator to charge the battery, and when to discharge the battery to power the load. Only tick "Time Of Use" then the follow items (Grid, charge, time, power etc.) will take effect.

Note: When in selling first mode and click time of use, the battery power can be sold into grid.

Gen charge: Utilize diesel generator to charge the battery in a time period.

Time: Real time, range of 01:00-24:00.

Note: When the grid is present, only the “time of use” is ticked, then the battery will discharge. Otherwise, the battery won't discharge even the battery SOC is full. But in the off-grid mode (when grid is not available, inverter will work in the off-grid mode automatically).

Power: Max. discharge power of battery allowed.

Batt (V or SOC %): Battery SOC % or voltage at when the action is to happen.

For example

During 01:00-05:00, if battery SOC is lower than 80%, it will use grid to charge the battery until battery SOC reaches 80%.

During 05:00-08:00, if battery SOC is higher than 40%, hybrid inverter will discharge the battery until the SOC reaches 40%. At the same time, if battery SOC is lower than 40%, then grid will charge the battery SOC to 40%.

During 08:00-10:00, if battery SOC is higher than 40%, hybrid inverter will discharge the battery until the SOC reaches 40%.

During 10:00-15:00, when battery SOC is higher than 80%, hybrid inverter will discharge the battery until the SOC reaches 80%.

During 15:00-18:00, when battery SOC is higher than 40%, hybrid inverter will discharge the battery until the SOC reaches 40%.

During 18:00-01:00, when battery SOC is higher than 35%, hybrid inverter will discharge the battery until the SOC reaches 35%.

Battery Setting			
Start	30%	30%	
A	20A	37A	
<input type="checkbox"/> Gen Charge	<input checked="" type="checkbox"/> Grid Charge		
<input type="checkbox"/> Gen Signal	<input checked="" type="checkbox"/> Grid Signal		
Gen Max Run Time	24.0 hours		
Gen Down Time	0.0 hours		

System Work Mode						
Grid Charge	Gen	Time Of Use		Power	Batt	
		Time	Time			
<input checked="" type="checkbox"/>	<input type="checkbox"/>	01:00	5:00	12000	80%	<input checked="" type="checkbox"/> Work Mode2 <input type="checkbox"/> <input type="checkbox"/> <input type="checkbox"/> <input type="checkbox"/> <input checked="" type="checkbox"/>
<input checked="" type="checkbox"/>	<input type="checkbox"/>	05:00	8:00	12000	40%	
<input type="checkbox"/>	<input type="checkbox"/>	08:00	10:00	12000	40%	
<input checked="" type="checkbox"/>	<input type="checkbox"/>	10:00	15:00	12000	100%	
<input type="checkbox"/>	<input type="checkbox"/>	15:00	18:00	12000	40%	
<input type="checkbox"/>	<input type="checkbox"/>	18:00	01:00	12000	35%	
<input type="checkbox"/>	<input type="checkbox"/>					

LCD DISPLAY ICONS

GRID SETUP MENU

Grid Setting/Grid code selection

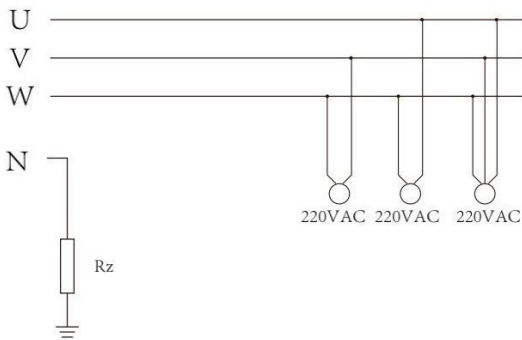
Grid Mode: General Standard 0/10

Grid Frequency: 50HZ (selected), 60HZ

Phase Type: 0/120/240 (selected), 0/240/120

Grid Level: LN:220V/LL:380V(AC)

IT system-neutral is not grounded



Grid Setting/Connect

Normal connect Normal Ramp rate 10s

Low frequency 48.00Hz High frequency 51.50Hz

Low voltage 185.0V High voltage 265.0V

Reconnect after trip Reconnect Ramp rate 36s

Low frequency 48.20Hz High frequency 51.30Hz

Low voltage 187.0V High voltage 263.0V

Reconnection Time 60s PF 1.000

Grid Setting/IP Protection

Over voltage $U > (10 \text{ min. running mean})$ 260.0V

HV3 265.0V HF3 51.50Hz

① HV2 265.0V -- 0.10s ② HF2 51.50Hz -- 0.10s

HV1 265.0V -- 0.10s HF1 51.50Hz -- 0.10s

LV1 185.0V -- 0.10s LF1 48.00Hz -- 0.10s

LV2 185.0V -- 0.10s LF2 48.00Hz -- 0.10s

LV3 185.0V LF3 48.00Hz

Grid Mode: General Standard, UL1741 & IEEE1547, CPUC RULE21, SRD-UL-1741, CEI 0-21, Australia A, Australia B, Australia C, EN50549_CZ-PPDS (>16A), New Zealand, VDE4105, OVE-Directive R25. Please follow the local grid code and then choose the corresponding grid standard.

Grid level: There're several voltage levels for the inverter output voltage when it is in off-grid mode.

LN: 230VAC LL: 400VAC, LN: 240VAC LL: 420VAC, LN: 120VAC LL: 208VAC, LN: 133VAC LL: 230VAC.

IT system: For the IT grid system, the Line voltage (between any two lines in a three-phase circuit) is 230Vac, and the diagram is as left. If your grid system is IT system, please enable "IT system" and tick the "Grid level" as 133-3P as left picture shows.

Rz: Large resistance ground resistor. Or the system doesn't have Neutral line.

Normal connect: The allowed grid voltage/frequency range when the inverter first time connects to the grid.

Normal Ramp rate: It is the startup power ramp.

Reconnect after trip: The allowed grid voltage /frequency range for the inverter connects to the grid after the inverter trip from the grid.

Reconnect Ramp rate: It is the reconnection power ramp.

Reconnection time: The waiting time period for the inverter to connect to the grid again.

PF: Power factor which is used to adjust inverter reactive power.

HV1: Level 1 overvoltage protection point;

① HV2: Level 2 overvoltage protection point;

HV3: Level 3 overvoltage protection point.

② 0.10s— Trip time

LV1: Level 1 undervoltage protection point;

LV2: Level 2 undervoltage protection point;

LV3: Level 3 undervoltage protection point.

HF1: Level 1 over frequency protection point;

HF2: Level 2 over frequency protection point;

HF3: Level 3 over frequency protection point.

LF1: Level 1 under frequency protection point;

LF2: Level 2 under frequency protection point;

LF3: Level 3 under frequency protection point.

LCD DISPLAY ICONS

GRID SETUP MENU

Grid Setting/F(W)

F(W)

Over frequency	Drop F	40%PE/Hz
Start freq F	50.20Hz	Stop freq F
Start delay F	0.00s	Stop delay F
Under frequency	Drop F	40%PE/Hz
Start freq F	49.80Hz	Stop freq F
Start delay F	0.00s	Stop delay F

Grid Set4

FW: This series inverter is able to adjust inverter output power according to grid frequency.

Droop F: Percentage of nominal power per Hz. For example, “Start freq F>50.2Hz, Stop freq F<51.5, Droo F=40%PE/Hz” when the grid frequency reaches 50.2Hz, the inverter will decrease its active power at Droop F of 40%. And then when grid system frequency is less than 50.1Hz, the inverter will stop decreasing output power.

For the detailed setup values, please follow the local grid code.

Grid Setting/V(W) V(Q)

V(W) V(Q)

V1	108.0%	P1	100%	Lock-in/Pn	5%	Lock-out/Pn	20%
V2	110.0%	P2	80%	V1	94.0%	Q1	44%
V3	112.0%	P3	60%	V2	97.0%	Q2	0%
V4	114.0%	P4	40%	V3	105.0%	Q3	0%
				V4	108.0%	Q4	-44%

Grid Set5

V(W): It is used to adjust the inverter active power according to the set grid voltage.

V(Q): It is used to adjust the inverter reactive power according to the set grid voltage. This function is used to adjust inverter output power (active power and reactive power) when grid voltage changes.

Lock-in/Pn 5%: When the inverter active power is less than 5% rated power, the VQ mode will not take effect.

Lock-out/Pn 20%: If the inverter active power is increasing from 5% to 20% rated power, the VQ mode will take effect again.

For example: V2=110%, P2=80%. When the grid voltage reaches the 110% times of rated grid voltage, inverter output power will reduce its active output power to 80% rated power.

For example: V1=94%, Q1=44%. When the grid voltage reaches the 94% times of rated grid voltage, inverter output power will output 44% reactive output power.

For the detailed setup values, please follow the local grid code.

Grid Setting/P(Q) P(F)

P(Q) P(PF)

P1	0%	Q1	2%	Lock-in/Pn	50%	Lock-out/Pn	50%
P2	2%	Q2	0%	P1	0%	PF1	-0.000
P3	0%	Q3	21%	P2	0%	PF2	-0.000
P4	22%	Q4	25%	P3	0%	PF3	0.000
				P4	62%	PF4	0.264

Grid Set6

P(Q): It is used to adjust the inverter reactive power according to the set active power.

P(PF): It is used to adjust the inverter PF according to the set active power. For the detailed setup values, please follow the local grid code.

Lock-in/Pn 50%: When the inverter output active power is less than 50% rated power, it won't enter the P(PF) mode.

Lock-out/Pn 50%: When the inverter output active power is higher than 50% rated power, it will enter the P(PF) mode.

Note: Only when the grid voltage is equal to or higher than 1.05 times of rated grid voltage, the P(PF) mode will take effect.

Grid Setting/LVRT

L/HVRT

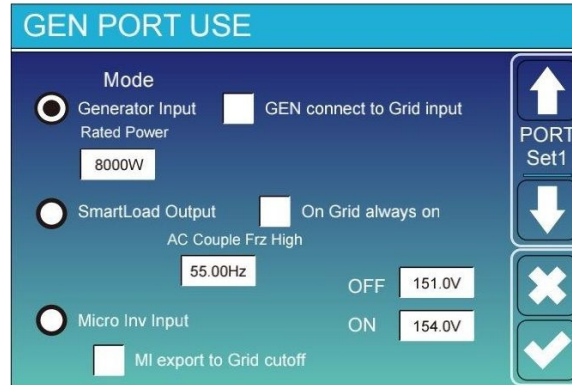
HV3	0%	HV3_T	30.24s
HV2	0%	HV2_T	0.04s
HV1	0%	HV1_T	22.11s
LV1	0%	LV1_T	22.02s
LV2	0%	LV2_T	0.04s

Grid Set7

Reserved: This function is reserved. It is not recommended.

LCD DISPLAY ICONS

GENERATOR PORT USE SETUP MENU



Generator input rated power:

- Allowed Max. power from diesel generator.

GEN connect to grid input:

- Connect the diesel generator to the grid input port.

Smart Load Output:

- This mode utilizes the gen input connection as an output which only receives power when the battery SOC is above a user programmable threshold.

e.g. ON: 100%, OFF: 95%: When the battery bank SOC reaches 100%, Smart Load Port will switch on automatically and power the load connected. When the battery bank SOC < 95%, the Smart Load Port will switch off automatically.

Smart Load OFF Batt:

- Battery SOC at which the Smart load will switch off.

Smart Load ON Batt:

- Battery SOC at which the Smart load will switch on. Simultaneously and then the Smart load will switch on.

On Grid always on:

- When click "on grid always on" the smart load will switch on when the grid is present.

Micro Inv Input:

- To use the Generator input port as a microinverter on grid inverter input (AC coupled). This feature will also work with "Grid-Tied" inverters.

Micro Inv Input OFF:

- When the battery SOC exceeds setting value, microinverter or grid-tied inverter will shut down.

Micro Inv Input ON:

- When the battery SOC is lower than setting value, microinverter or grid-tied inverter will start to work.

AC Couple Frz High:

- If choosing "Micro Inv input", as the battery SOC reaches gradually setting value (OFF), during the process, the microinverter output power will decrease linear. When the battery SOC equals to the setting value (OFF), the system frequency will become the setting value (AC couple Frz high) and the microinverter will stop working.

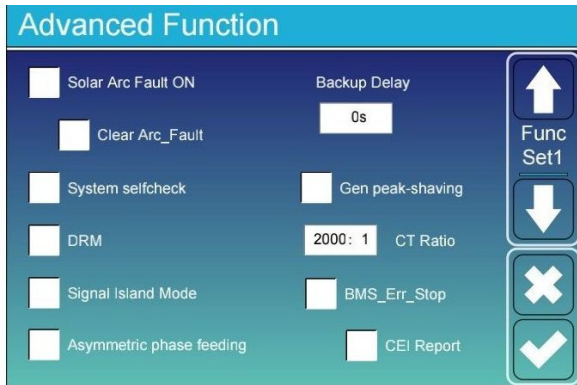
MI export to grid cutoff: Stop exporting power produced by the microinverter to the grid.

Note:

- Micro Inv Input OFF and On is valid for certain FW versions only.

LCD DISPLAY ICONS

ADVANCED FUNCTION SETUP MENU



Solar Arc Fault ON: This is only for US.

System selfcheck: Disable. This is only for factory.

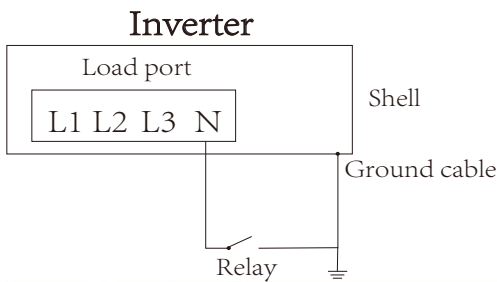
Gen Peak-shaving: Enable. When the power of the generator exceeds the rated value of it, the inverter will provide the redundant part to ensure that the generator will not overload.

DRM: For AS4777 standard.

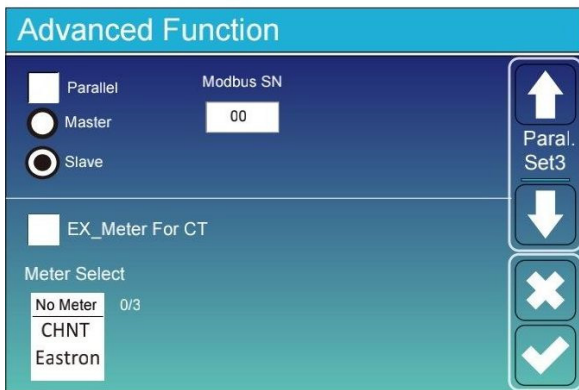
Backup Delay: Reserved.

BMS_Err_Stop: When it is active, if the battery BMS failed to communicate with the inverter, the inverter will stop working and report fault.

Signal island mode: If "Signal island mode" is checked and when inverter is in off-grid mode, the relay on the Neutral line (load port N line) will switch ON then the N line (load port N line) will bind to inverter ground.

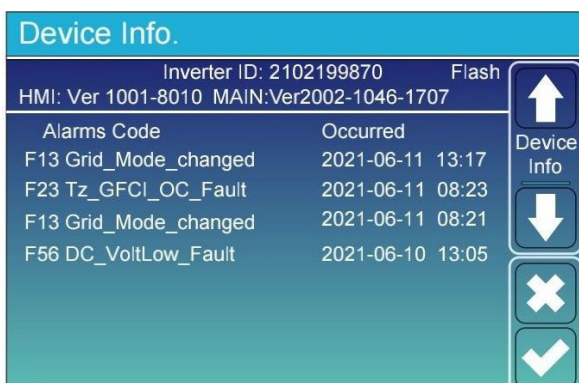


Asymmetric phase feeding: If it is checked, the excess PV energy that feeds into the grid will be balanced on the three phase.



Ex_Meter For CT: When using zero-export to CT mode, the hybrid inverter can select EX_Meter For CT function and use the different meters. E.g. CHNT and Eastron.

DEVICE INFO SETUP MENU



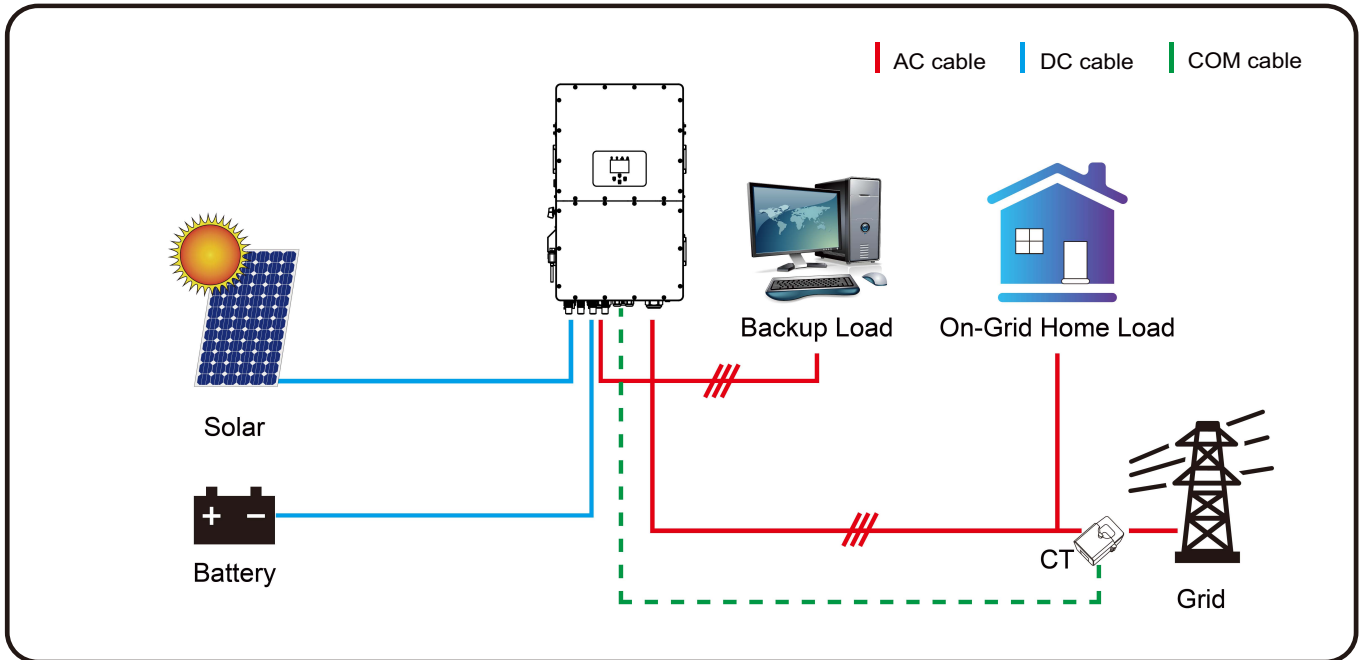
This page show Inverter ID, Inverter version and alarm codes.

HMI: LCD version.

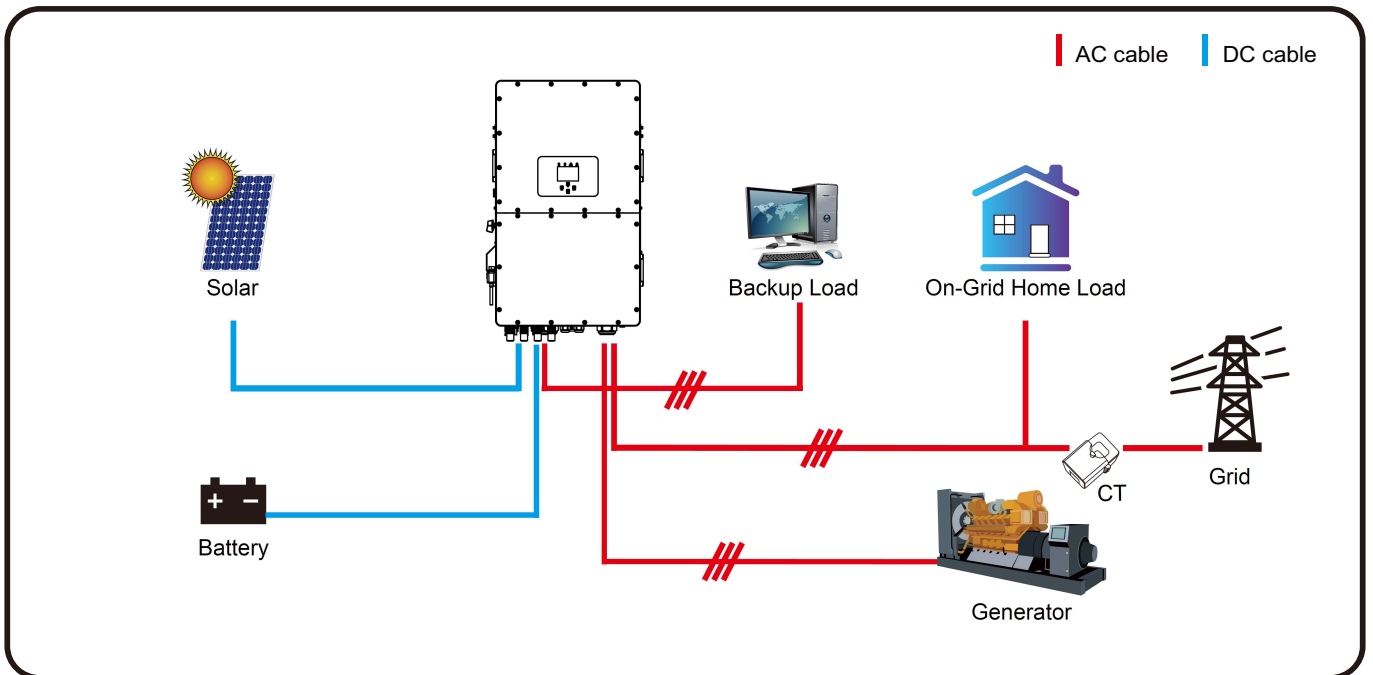
MAIN: Control board FW version.

MODE

MODE I: BASIC

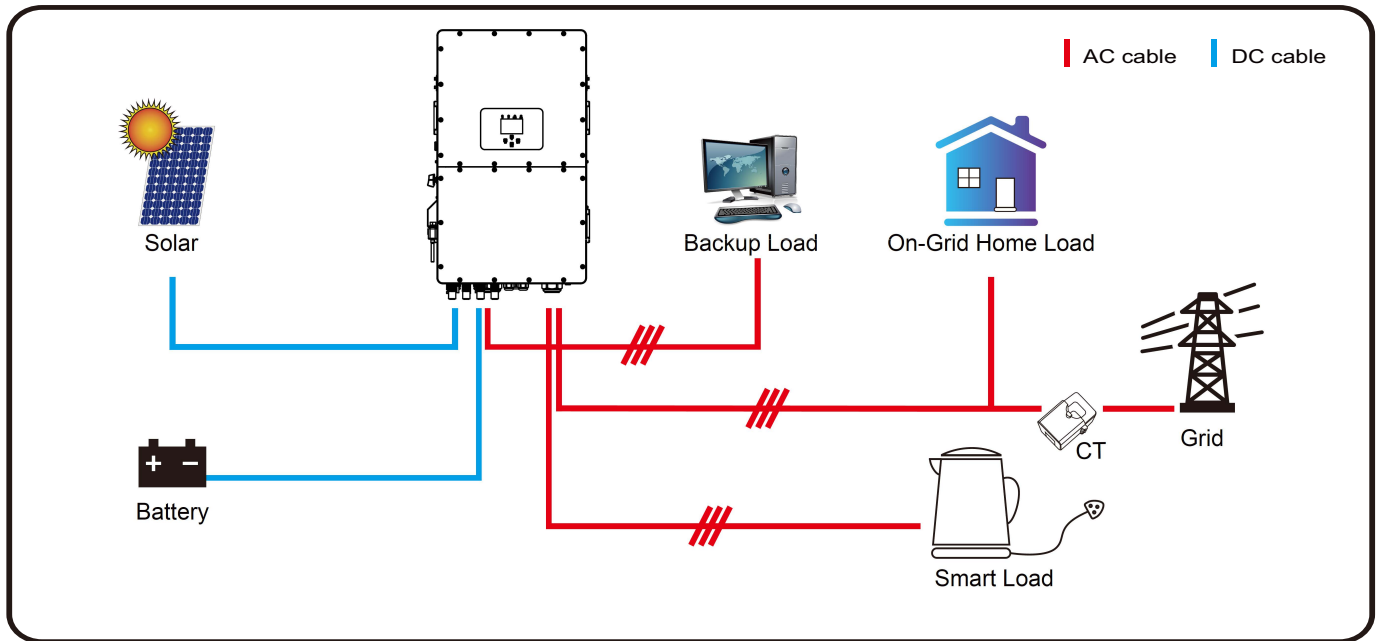


MODE II : WITH GENERATOR

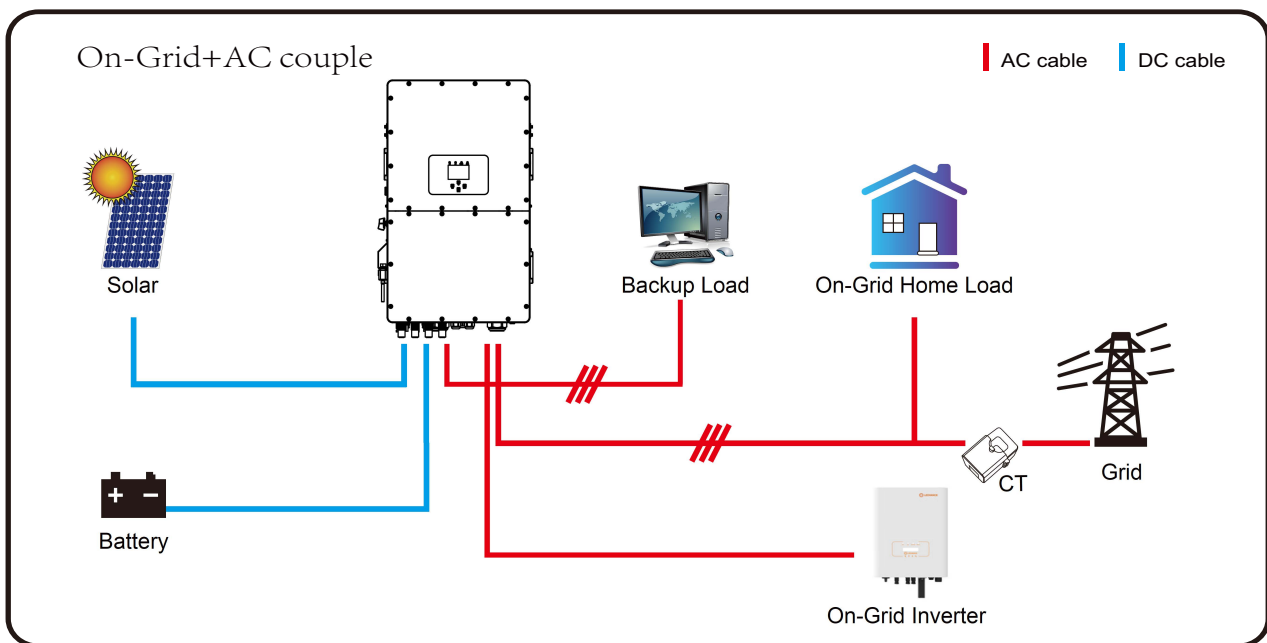


MODE

MODE III: WITH SMART-LOAD



MODE IV: AC COUPLE



The 1st priority power of the system is always the PV power, then 2nd and 3rd priority power will be the battery bank or grid according to the settings.
The last power backup will be the Generator if it is available.

LIMITATION OF LIABILITY

In addition to the product warranty described above, the state and local laws and regulations provide financial compensation for the product's power connection (including violation of implied terms and warranties). The company hereby declares that the terms and conditions of the product and the policy cannot and can only legally exclude all liability within a limited scope.

FAULT INFORMATION

Error code	Description	Solutions
F01	DC_Inversed_Failure	<ol style="list-style-type: none"> 1. Check the PV input polarity; 2. Seek help from us, if can not go back to normal state.
F07	DC_START_Failure	<ol style="list-style-type: none"> 1. The BUS voltage can't be built from PV or battery; 2. Restart the inverter. If the fault still exists, please contact us for help.
F13	Working_Mode_change	<ol style="list-style-type: none"> 1. When the grid type and frequency changed, it will report F13; 2. When the battery mode was changed to "No battery" mode, it will report F13; 3. For some old FW version, it will report F13 when the system work mode changed; 4. Generally, it will disappear automatically when shows F13; 5. If it remains same, turn on DC and AC switch for one minute, then turn on the DC and AC switch; 6. Seek help from us, if can not go back to normal state.
F15	AC_OverCurr_SW_Failure	<p>AC side over current fault</p> <ol style="list-style-type: none"> 1. Please check whether the backup load power and common load power are within the range; 2. Restart and check whether it is normal; 3. Seek help from us, if can not go back to normal state.
F16	GFCI_Failure	<p>Leakage current fault</p> <ol style="list-style-type: none"> 1, Check the PV side cable ground connection; 2, Restart the system 2-3 times; 3, if the fault still existing, please contact us for help.
F18	Tz_Ac_OverCurr_Fault	<p>AC side over current fault</p> <ol style="list-style-type: none"> 1. Please check whether the backup load power and commonload power are within the range; 2. Restart and check whether it is normal; 3. Seek help from us if cannot go back to normal state.
F20	Tz_Dc_OverCurr_Fault	<p>DC side over current fault</p> <ol style="list-style-type: none"> 1. Check PV module connection and battery connection; 2. When in the off-grid mode, the inverter startup with big power load, it may report F20. Please reduce the load power connected; 3. If it remains same, turn on DC and AC switch for one minute, then turn on the DC and AC switch; 4. Seek help from us, if can not go back to normal state.

LIMITATION OF LIABILITY

Error code	Description	Solutions
F21	Tz_HV_Overcurr_fault	BUS over current. 1. Check the PV input current and battery current setting; 2. Restart the system 2~3 times; 3. If the fault still exists, please contact us for help.
F22	Tz_EmergStop_Fault	Remotely shutdown 1. It tells the inverter is remotely controlled.
F23	Tz_GFCI_OC_Fault	Leakage current fault 1. Check PV side cable ground connection. 2. Restart the system 2~3 times; 3. If the fault still exists, please contact us for help.
F24	DC_Insulation_Fault	PV isolation resistance is too low 1. Check if the connection of PV panels and inverter is firmly and correctly; 2. Check whether the PE cable of inverter is connected to ground; 3. Seek help from us if can not go back to normal state.
F26	BusUnbalance_Fault	1. Please wait for a while and check whether it is normal; 2. When the load power of 3 phases has big difference, it will report the F26; 3. When there's DC leakage current, it will report F26; 4. Restart the system 2~3 times; 5. Seek help from us if can not go back to normal state.
F29	Parallel_Comm_Fault	1. When in parallel mode, check the parallel communication, cable connection and hybrid inverter communication address setting; 2. During the parallel system startup period, inverters will report F29. But when all inverters are in ON status, it will disappear automatically; 3. If the fault still exists, please contact us for help.
F34	AC_Overload_Fault	1. Check the backup load connection, make sure it is in allowed power range; 2. If the fault still exists, please contact us for help.
F41	Parallel_system_Stop	1. Check the hybrid inverter work status. If there's one hybrid inverter shutdown, all hybrid inverters will report F41 fault; 2. If the fault still exists, please contact us for help.
F42	Parallel_system_Stop	Grid voltage fault 1. Check whether the AC voltage is within grid standard protection limits; 2. Check whether grid AC cables are firmly and correctly connected; 3. Seek help from us, if can not go back to normal state.

LIMITATION OF LIABILITY

Error code	Description	Solutions
F47	AC_OverFreq_Fault	Grid frequency out of range 1. Check if the frequency is in the range of specification or not; 2. Check whether AC cables are firmly and correctly connected; 3. Seek help from us, if can not go back to normal state.
F48	AC_UnderFreq_Fault	Grid frequency out of range 1. Check if the frequency is in the range of specification or not; 2. Check whether AC cables are firmly and correctly connected; 3. Seek help from us, if can not go back to normal state.
F52	DC_VoltHigh_Fault	BUS voltage is too high 1. Check whether battery voltage is too high; 2. Check the PV input voltage, and make sure it is within the allowed range; 3. Seek help from us, if can not go back to normal state.
F53	DC_VoltLow_Fault	BUS voltage is too low 1. Check whether battery voltage is too low; 2. If the battery voltage is too low, use PV or grid to charge the battery; 3. Seek help from us, if can not go back to normal state.
F54	BAT2_VoltHigh_Fault	1. Check if the battery 2 terminal voltage is high; 2. Restart the inverter 2 times and restore the factory settings; 3. Seek help from us, if can not go back to normal state.
F55	BAT1_VoltHigh_Fault	1. Check if the battery 1 terminal voltage is high; 2. Restart the inverter 2 times and restore the factory settings; 3. Seek help from us, if can not go back to normal state.
F56	BAT1_VoltLow_Fault	1. Check if the battery 1 terminal voltage is low; 2. Restart the inverter 2 times and restore the factory settings; 3. Seek help from us, if can not go back to normal state.
F57	BAT2_VoltLow_Fault	1. Check if the battery 2 terminal voltage is low; 2. Restart the inverter 2 times and restore the factory settings; 3. Seek help from us, if can not go back to normal state.
F58	Battery_comm_Lose	1, It tells the communication between hybrid inverter and battery BMS disconnected when "BMS_Err-Stop" is active; 2, If don't want to see this happen, you can disable "BMS_Err-Stop" option on the LCD; 3, If the fault still exists, please contact us for help.
F62	DRMs0_stop	1, the DRM function is for Australia market only; 2, Check if the DRM function is active or not; 3, Seek help from us, if can not go back to normal state after restart the system.
F63	ARC_Fault	1. ARC fault detection is only for US market; 2. Check PV module cable connection and clear the fault; 3. Seek help from us, if can not go back to normal state.
F64	Heatsink_HighTemp_Fault	Heat sink temperature is too high 1. Check whether the working environment temperature is too high; 2. Turn off the inverter for 10 mins and restart; 3. Seek help from us, if can not go back to normal state.

LIMITATION OF LIABILITY

Under the guidance of our company, customers return our products so that our company can provide service of maintenance or replacement of products of the same value. Customers need to pay the necessary freight and other related costs. Any replacement or repair of the product will cover the remaining warranty period of the product. If any part of the product or product is replaced by the company itself during the warranty period, all rights and interests of the replacement product or component belong to the company. Factory warranty does not include damage due to the following reasons:

- Damage during transportation of equipment;
- Damage caused by incorrect installation or commissioning;
- Damage caused by failure to comply with operation instructions, installation instructions or maintenance instructions;
- Damage caused by attempts to modify, alter or repair products;
- Damage caused by incorrect use or operation;
- Damage caused by insufficient ventilation of equipment;
- Damage caused by failure to comply with applicable safety standards or regulations;
- Damage caused by natural disasters or force majeure (e.g. floods, lightning, overvoltage, storms, fires, etc.)

In addition, normal wear or any other failure will not affect the basic operation of the product. Any external scratches, stains or natural mechanical wear does not represent a defect in the product.

DATASHEET

Model	LHT-HV-30K F1	LHT-HV-35K F1	LHT-HV-40K F1	LHT-HV-50K F1
Battery Input Data				
Battery Voltage Range (V)	160 - 800			
Max. Charging Current (A)	50 + 50			
Max. Discharging Current (A)	50 + 50			
Number of battery input	2			
Charging Strategy for Li-Ion Battery	Self-adaptation to BMS			
PV String Input Data				
Max. DC Input Power (W)	39000	45500	52000	65000
Max. DC Input Voltage (V)	1000			
MPPT Range (V)	150 - 850			
Start-up Voltage (V)	180			
Full Load DC Voltage Range (V)	360 - 850	360 - 850	360 - 850	450 - 850
Rated DC Input Voltage (V)	600			
PV Input Current (A)	36 + 36 + 36	36 + 36 + 36	36 + 36 + 36 + 36	55 + 55 + 55 + 55
Max. PV Isc (A)	55 + 55 + 55	55 + 55 + 55	55 + 55 + 55 + 55	55 + 55 + 55 + 55
No. of MPPT Trackers	3	3	4	4
No. of Strings Per MPPT Tracker	2 + 2 + 2	2 + 2 + 2	2 + 2 + 2 + 2	2 + 2 + 2 + 2
AC Output Data				
Rated AC Output and UPS Power (W)	30000	35000	40000	50000
Max. AC Output Power (W)	33000	38500	44000	55000
Peak Power (off grid)	1.5 time of rated power, 10s			
AC Output Rated Current (A)	45.5 / 43.5	53.1 / 50.8	60.7 / 58.0	75.8 / 72.5
Max. AC Output Rated Current (A)	50.0 / 47.8	58.4 / 55.8	66.7 / 63.8	83.4 / 79.7
Max. AC Current (A)	60.0	60.0	70.0	83.3
Power Factor	0.8 leading to 0.8 lagging			
Output Frequency and Voltage	50/60Hz; 3L/N/PE 220/380, 230/400Vac			
Grid Type	Three Phase			
Total Harmonic Distortion (THD)	< 3% (of nominal power)			
Generator input / Smart load / AC couple current (A)	45.5/200/45.5	53.1/200/53.1	60.7/200/60.7	75.8/200/75.8

DATASHEET

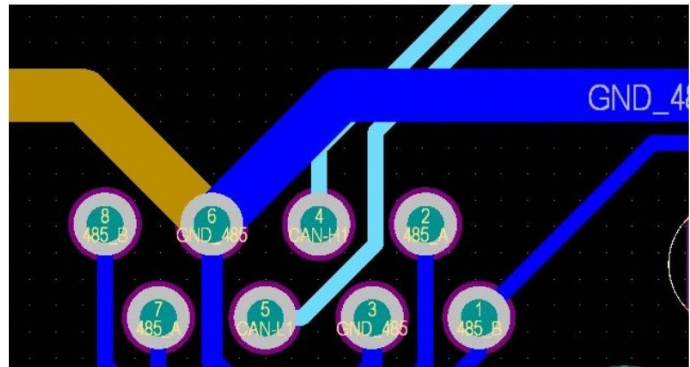
Efficiency	
Max. Efficiency	97.6%
Euro Efficiency	97.0%
MPPT Efficiency	99.9%
Protection	
PV Input Lightning Protection	Yes
Anti-islanding Protection	Yes
PV String Input Reverse Polarity Protection	Yes
Insulation Resistor Detection	Yes
Residual Current Monitoring Unit	Yes
Output Over Current Protection	Yes
Output Shorted Protection	Yes
Surge Protection	Yes
Certifications and Standards	
Grid Regulation	VDE4105, IEC61727/62116, VDE0126, AS4777.2, CEI 0 21, EN50549-1, G98, G99, C10-11, UNE217002, NBR16149/NBR16150
EMC/Safety Regulation	IEC/EN 61000-6-1/2/3/4, IEC/EN 62109-1, IEC/EN 62109-2
General Data	
Operating Temperature Range (°C)	-40~60°C, >45°C derating
Cooling	Smart cooling
Noise (dB)	<65
Communication with BMS	RS485; CAN
Weight (kg)	75
Size (WxHxD mm)	527x894x294
Protection Degree	IP65
Installation Style	Wall-mounted
Warranty	10 Years

APPENDIX I

Definition of RJ45 Port Pin for BMS1

No.	RS485 Pin
1	485_B
2	485_A
3	GND_485
4	CAN-H1
5	CAN-L1
6	GND_485
7	485_A
8	485_B

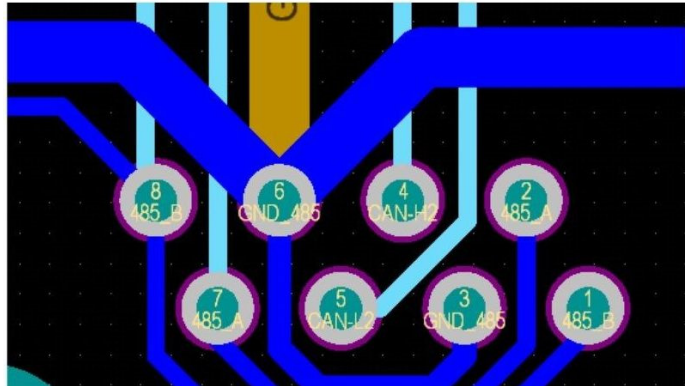
BMS1 Port



Definition of RJ45 Port Pin for BMS2

No.	RS485 Pin
1	485_B
2	485_A
3	GND_485
4	CAN-H2
5	CAN-L2
6	GND_485
7	485_A
8	485_B

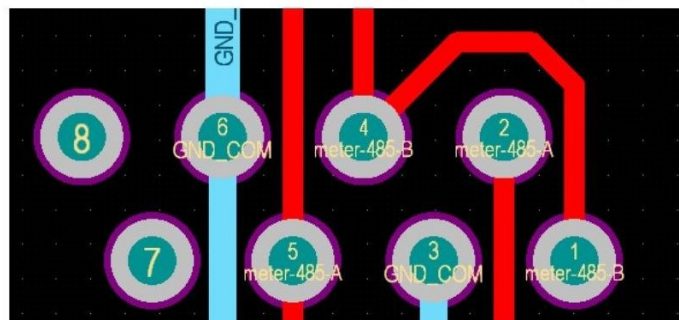
BMS2 Port



Definition of RJ45 Port Pin for Meter

No.	Meter-485 Pin
1	METER-485_B
2	METER-485_A
3	GND_COM
4	METER-485_B
5	METER-485_A
6	GND_COM
7	--
8	--

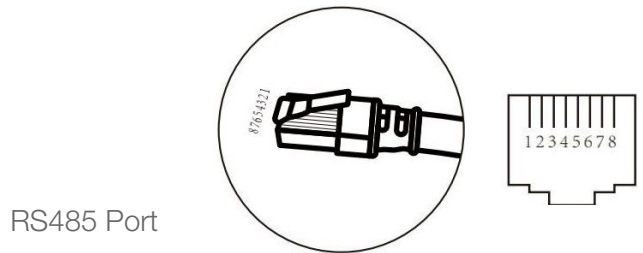
Meter Port



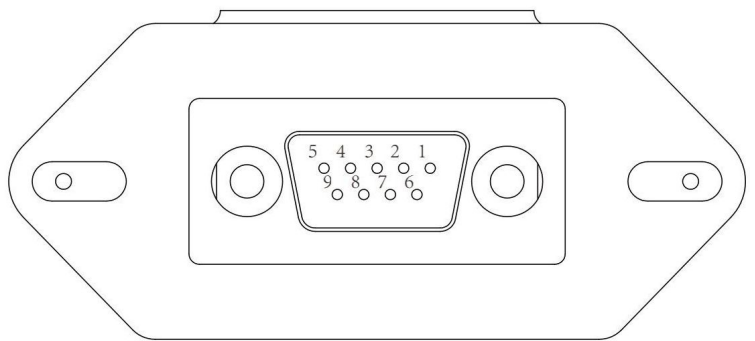
APPENDIX I

Definition of RJ45 Port Pin for RS485

No.	RS485 Pin
1	Modbus-485_B
2	Modbus-485_A
3	GND_485
4	--
5	--
6	GND_485
7	Modbus-485_A
8	Modbus-485_B



No.	WiFi/RS232
1	
2	TX
3	RX
4	
5	D-GND
6	
7	
8	
9	12Vdc



WiFi/RS232

This RS232 port is used to connect the WiFi datalogger

APPENDIX II

1. Split Core Current Transformer (CT) dimension: (mm)
2. Secondary output cable length is 4m.

